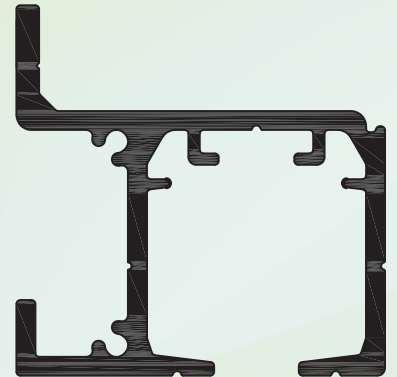
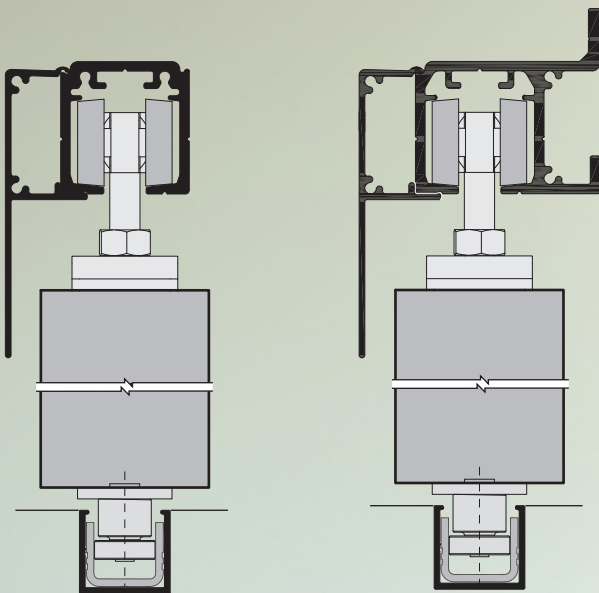
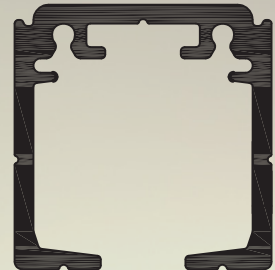


KrisTrack®
Track & Hardware Specialists



New KT60 Series Ceiling Mount Track & Fascia with Hardware

New KT60SC Series Ceiling Mount Track & Fascia with Soft Close Hardware

New KT61 Series Wallmount Track & Fascia With Hardware

New KT61SC Series Wallmount Track & Fascia with Soft Close Hardware

DSGroup®

www.theDSgroup.com

Tomorrow's Innovative Solutions for Today's Doors & Windows

The DS Group Of Companies: Draftseal®, Kristrack®, Eclipse Architectural® & DSD Hardware

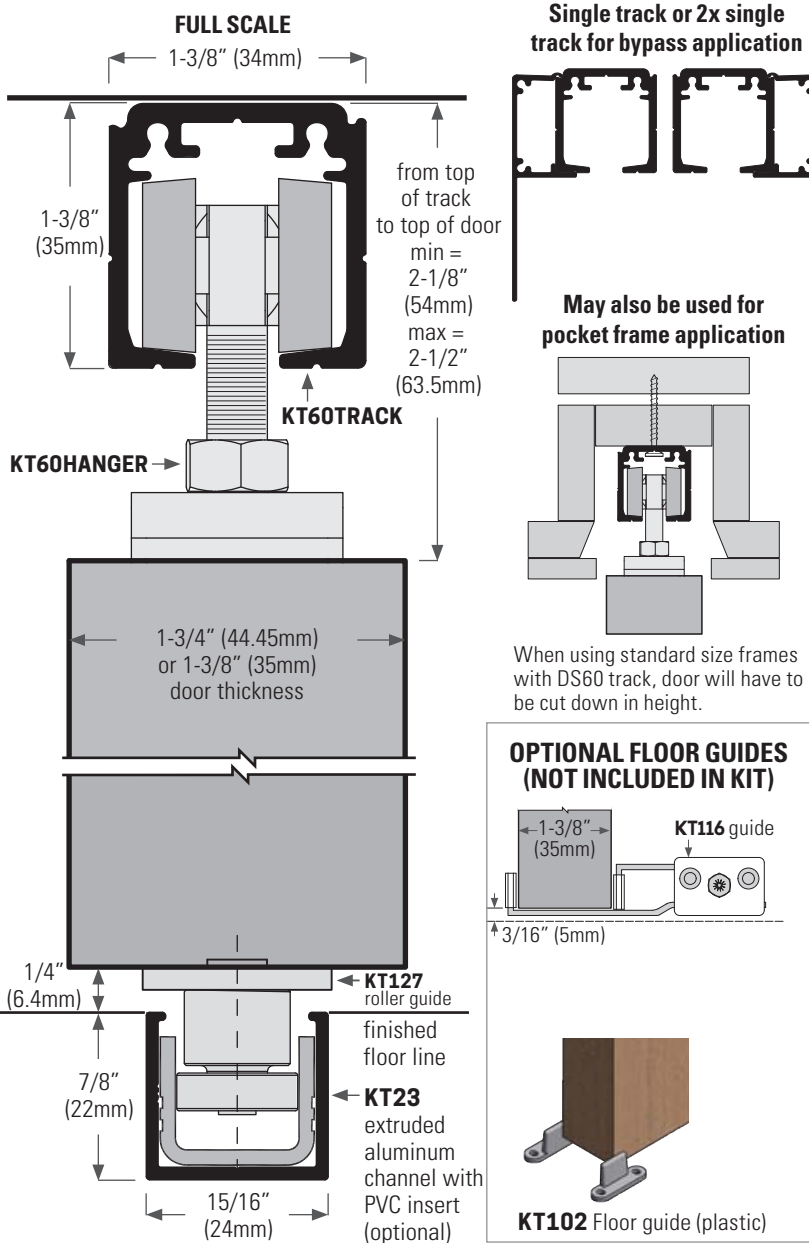
KT60, KT60SC, KT61, KT61SC Series • Revision (1) December 14, 2016

PRINTED BROCHURE MAY NOT BE UP TO DATE, ALWAYS REFER TO PRODUCT WEBSITE FOR MOST UP TO DATE CONTENT.

KT60 / KT60SC COMMERCIAL SERIES, CEILING MOUNT SLIDING DOOR TRACK & HARDWARE

ARCHITECTURAL SPECIFICATIONS

MAXIMUM DOOR WEIGHT:	OPTION 1: KT60HANGER = 132 lbs (60 kg) = two hangers. OPTION 2: KT60SOFTCLOSEH1: 150 lbs (68 kg) = 1 hanger, 1 soft close assembly. Min & max door width: 24" - 48" (610 - 1219mm) OPTION 3: KT60SOFTCLOSEH2: 150 lbs (68 kg) = 2 soft close assemblies. Min & max door width: 32" - 48" (813mm - 1219mm)		
MAXIMUM CAPACITY:	Width and height of the door may vary beyond standard sizes provided the weight of the door does not exceed the maximum weight listed above. When using max door width and height (48" x 96" / 1219 x 2438mm) door may exceed maximum door weight of 132 lbs or 150 lbs		
VERTICAL ADJUSTMENT:	3/8" (9.5mm)	MIN & MAX DOOR THICKNESS: 1-3/8" to 1-3/4" (35mm to 44.45mm).	MAX DOOR HEIGHT: 96" (2438mm)
TRACK:	Extruded aluminum, clear anodized. 5 stock lengths available, refer to price list.		
HANGER:	Steel carrier, plated, 4 nylon wheels, ball bearing.		
OPTIONS:	KT6FASCIA, extruded aluminum, clear anodized (standard) or custom colour, 4 lengths available with end caps. KT23 floor channel extruded aluminum, bronze anodized with PVC insert, 7 stock lengths, refer to price list. Also available KT20 & KT19 floor channels.		
HARDWARE KITS:	KT60KIT: consists of poly-bagged (2 ea) KT60HANGER Hangers, (1 ea) KT60FGUIDE Floor guide, (2 ea) KT60STOP Intrack stops, (1 ea) wrench, installation sheet plus all screws. KT60SOFTCLOSEH1: consists of (1 ea) KT60HANGER hanger, (1ea) KT60SOFTCLOSE Soft close assembly, (1 ea) KT60STOP Intrack stops, (1 ea) KT60FGUIDE Floor guide, (1 ea) Soft close auto release activator, (1 ea) Wrench, installation sheet plus all screws. KT60SOFTCLOSEH2: consists of (2 ea) KT60SOFTCLOSE Soft close assemblies, (1 ea) KT60FGUIDE floor guide, (2 ea) Soft close auto release activator, (1 ea) Wrench, installation sheet plus all screws.		



3 HANGER OPTIONS

1 Max door weight 132 lbs (60 kg)
KT60KIT INCLUDES:

KT60HANGER
2 hangers, quick release

KT60STOP
2 intrack stops

1 wrench

KT60FGUIDE
1 ea floor guide

2 Min door width 24" (610mm) - Max 150 lbs (68 kg)
KIT INCLUDES:

KT60SOFTCLOSEH1
Soft close assembly on one side. Hanger on the other side.

KT60STOP
1 intrack stop

1 soft close & auto release activator

KT60FGUIDE
1 ea floor guide

3 Min door width 32" (813mm) - Max 150 lbs (68 kg)
KIT INCLUDES:

KT60SOFTCLOSEH2 Two soft close, one for each side

2 soft close & auto release activators

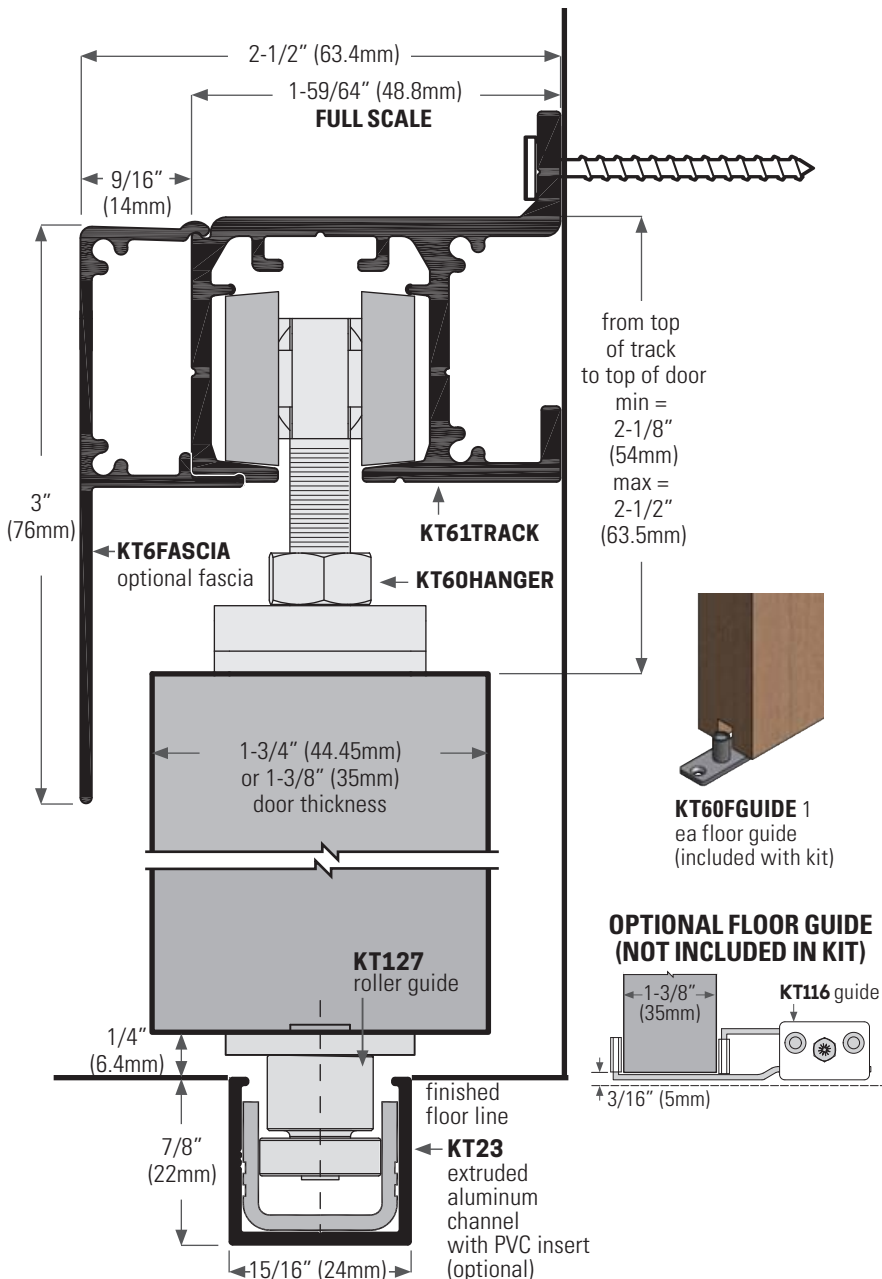
1 wrench

KT60FGUIDE
1 ea floor guide

KT61 / KT61SC COMMERCIAL SERIES, WALL MOUNT SLIDING DOOR TRACK & HARDWARE

ARCHITECTURAL SPECIFICATIONS

MAXIMUM DOOR WEIGHT:	OPTION 1: KT60HANGER = 132 lbs (60 kg) = two hangers.		
	OPTION 2: KT60SOFTCLOSEH1: 150 lbs (68 kg) = 1 hanger, 1 soft close assembly. Min & max door width: 24" - 48" (610 - 1219mm)		
	OPTION 3: KT60SOFTCLOSEH2: 150 lbs (68 kg) = 2 soft close assemblies. Min & max door width: 32" - 48" (813mm - 1219mm)		
MAXIMUM CAPACITY:	Width and height of the door may vary beyond standard sizes provided the weight of the door does not exceed the maximum weight listed above. When using max door width and height (48" x 96" / 1219 x 2438mm) door may exceed maximum door weight of 132 lbs or 150 lbs		
VERTICAL ADJUSTMENT:	3/8" (9.5mm)	MIN & MAX DOOR THICKNESS: 1-3/8" to 1-3/4" (35mm to 44.45mm).	MAX DOOR HEIGHT: 96" (2438mm)
TRACK:	Extruded aluminum, clear anodized. 5 stock lengths available, refer to price list.		
HANGER:	Steel carrier, plated, 4 nylon wheels, ball bearing.		
OPTIONS:	KT6FASCIA, extruded aluminum, clear anodized (standard) or custom colour, 4 lengths available with end caps. KT23 floor channel extruded aluminum, bronze anodized with PVC insert, 7 stock lengths, refer to price list. Also available KT20 & KT19 floor channels.		
HARDWARE KITS:	KT60KIT: consists of poly-bagged (2 ea) KT60HANGER Hangers, (1 ea) KT60FGUIDE Floor guide, (2 ea) KT60STOP Intrack stops, (1 ea) wrench, installation sheet plus all screws.		
	KT60SOFTCLOSEH1: consists of (1 ea) KT60HANGER hanger, (1ea) KT60SOFTCLOSE Soft close assembly, (1 ea) KT60STOP Intrack stops, (1 ea) KT60FGUIDE Floor guide, (1 ea) Soft close auto release activator, (1 ea) Wrench, installation sheet plus all screws.		
	KT60SOFTCLOSEH2: consists of (2 ea) KT60SOFTCLOSE Soft close assemblies, (1 ea) KT60FGUIDE floor guide, (2 ea) Soft close auto release activator, (1 ea) Wrench, installation sheet plus all screws.		



3 HANGER OPTIONS

1 Max door weight 132 lbs (60 kg)
KT60KIT INCLUDES:

KT60HANGER
2 hangers, quick release

KT60STOP
2 intrack stops

1 wrench

KT60FGUIDE
1 ea floor guide

2 Min door width 24" (610mm) - Max 150 lbs (68 kg)
KIT INCLUDES:

KT60SOFTCLOSEH1
Soft close assembly on one side. Hanger on the other side.

KT60STOP
1 intrack stop

1 soft close & auto release activator

1 wrench

KT60FGUIDE
1 ea floor guide

3 Min door width 32" (813mm) - Max 150 lbs (68 kg)
KIT INCLUDES:

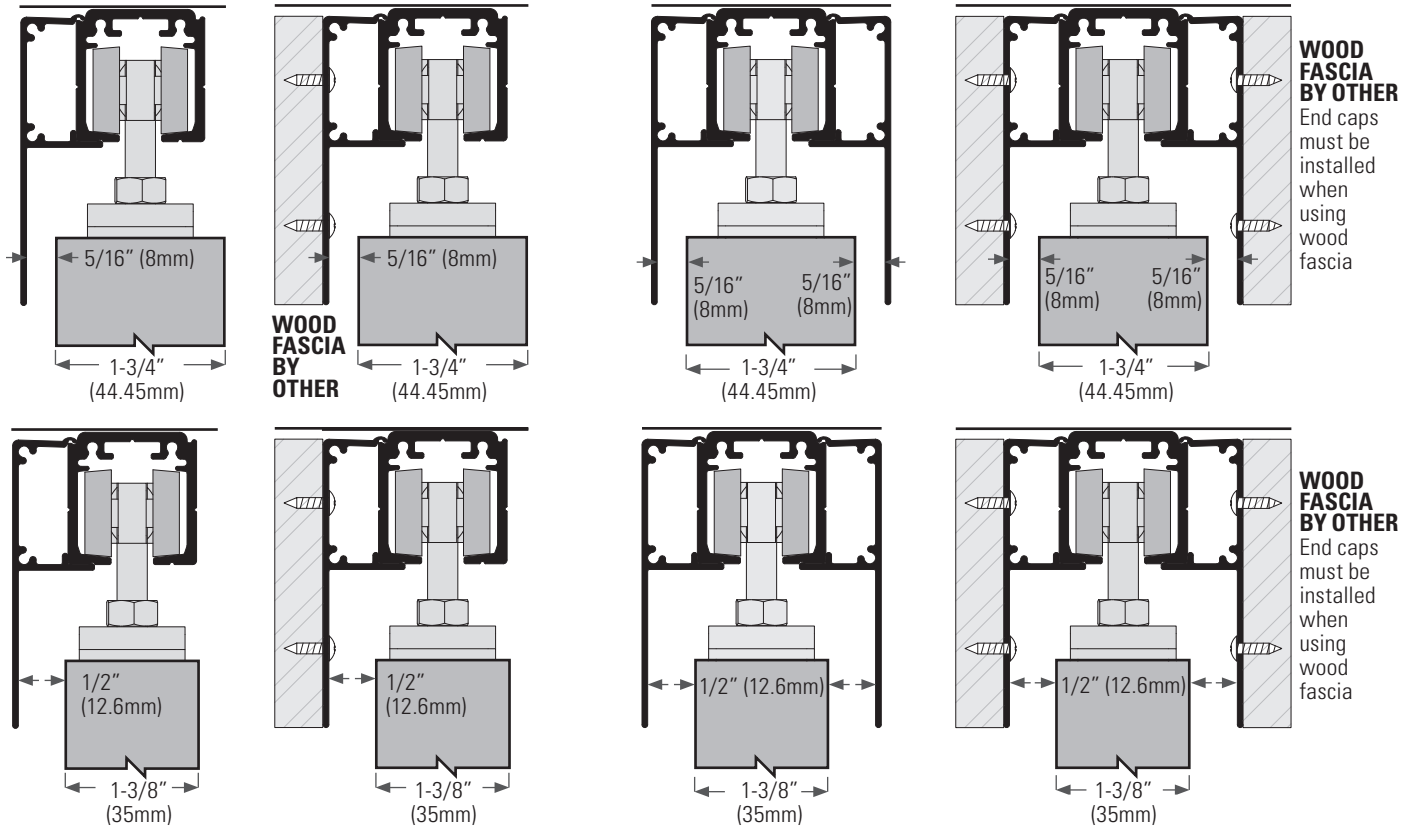
KT60SOFTCLOSEH2 Two soft close, one for each side

2 soft close & auto release activators

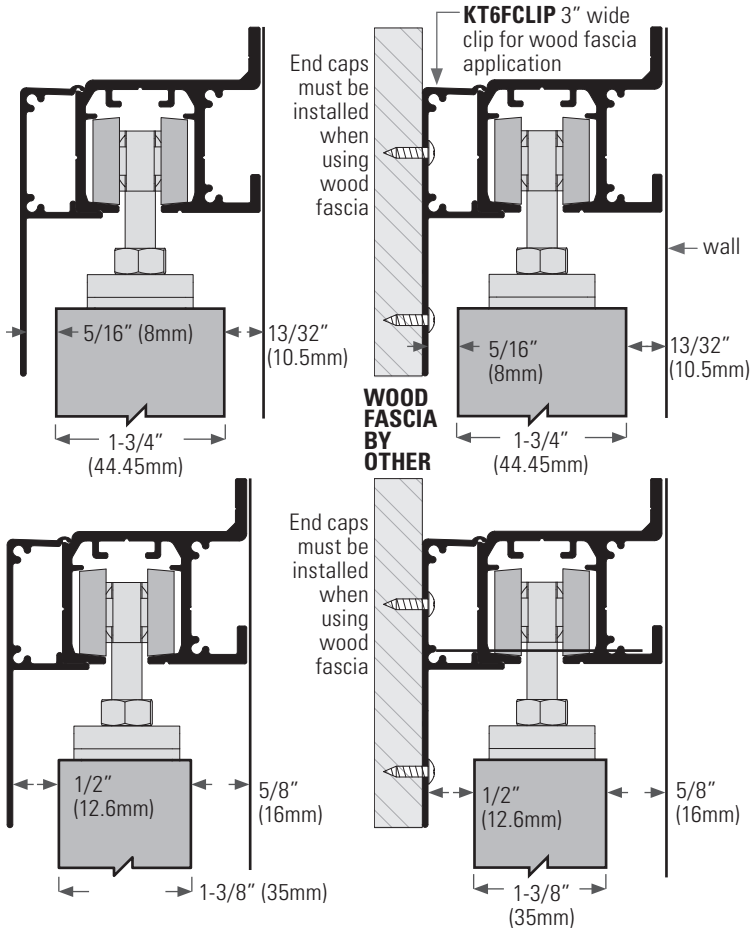
1 wrench

KT60FGUIDE
1 ea floor guide

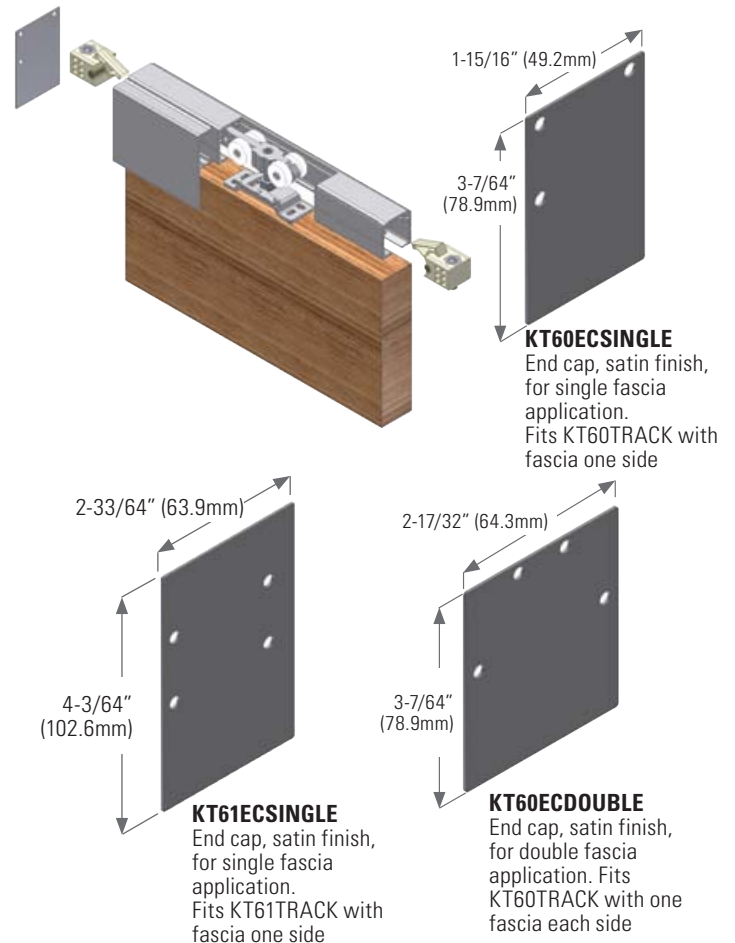
KT60 CEILING MOUNT WITH FASCIA OPTIONS



KT61 WALL MOUNT WITH FASCIA OPTIONS



END CAP SELECTION



WHAT IS NOT COVERED BY OUR WARRANTY

Other than manufacturing defects, our warranty excludes all other defects in KrisTrack products, including defects caused or contributed in whole or in part by, abuse, misuse or neglect.