



Mondoor By **KrisTrack**[®]

Floating Pocket Door - Frame Systems

In wall system (pocket door frame) or
front of wall system (face-mount)

HEALTH CARE, COMMERCIAL & RESIDENTIAL.

Mondoor[®] brings you the door of the future. It doesn't revolve or even slide; a Mondoor floats. The floating door is suspended in magnetic fields, giving it a weightless feel and making it very smooth to handle and comfortable to use. No wonder everybody is going for the Mondoor[®].



If the standard designs do not work for you, then Mondoor[®] has a unique patented profile system that offers easy and affordable solutions for your custom size needs.

You have the option of choosing either a front-of-wall system (wall or ceiling mounted) or an in-wall system (pocket door frame).

Top 10 Cool Reasons to go with Mondoor

- Weightless
- Very user friendly
- Minimal wear
- Smooth and noiseless
- Space saving
- Hygienic and aesthetic
- No doorstep
- Withstands rough handling
- Minimal chance of malfunction
- Lifetime warranty on magnetic action



Mondoor By KrisTrack®

Floating Pocket Door - Frame Systems

In wall system (pocket door frame) or front of wall system (face-mount)

HEALTH CARE, COMMERCIAL & RESIDENTIAL.



Mondoor header detail.

The Mondoor® patented magnetic system is on top of the door.

For all of its floating door systems, Mondoor® offers a lifetime warranty on the magnetic action, which makes the Mondoor® the perfect solution for high traffic areas.



Positive locking lever optional if required

Satin finish on aluminum or brushed stainless steel

Optional Door Pull



Dull chrome, dark bronze powder coat and bright chrome

LOCKS OR PULLS NOT INCLUDED, ORDER SEPARATELY.



Pocket Door Privacy or Passage Set



Door edge finger pull included

Brushed stainless steel



Mondoor By **KrisTrack**[®]

Floating Pocket Door - Frame Systems

In wall system (pocket door frame) or front of wall system (face-mount)

HEALTH CARE, COMMERCIAL & RESIDENTIAL.

Experience the comfort of weightless

With its revolutionary floating door system, Mondoor[®] has done away with the disadvantages of the traditional revolving and sliding doors. Aside from flexibility and reliability, the floating door and metal frame (satin coated steel 16 gauge) excel in both quality and hygiene. Plus, they save space. And since a closed magnetic circuit is used, there is no risk of affecting any equipment nearby.



Ceiling Mounted Track & Lift

Facilitates moving patients from room to room through door ways without compromising or affecting the functionality of the sliding pocket door.



Mondoor metal pocket frame (satin coated steel 16 gauge) installed into wall. Pocket frame to be boarded vertically.



Door system with top lite panel



Mondoor By KrisTrack®

Floating Pocket Door - Frame Systems

In wall system (pocket door frame) or front of wall system (face-mount)

HEALTH CARE, COMMERCIAL & RESIDENTIAL.

STANDARD SIZES (20 STOCK SIZES AVAILABLE, REFER TO PRICE LIST):

WIDTHS: 28" (711mm), 30" (762mm), 32" (813mm), 34" (864mm) & 36" (914mm).

HEIGHTS: 80" (2032mm), 84" (2134mm), 90" (2286mm) & 96" (2438mm).

In wall system (pocket door frames) can be custom built to suit max door size of 54" (1371mm) x 116" (2946mm).

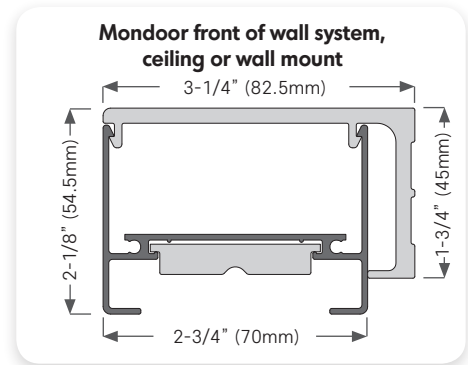
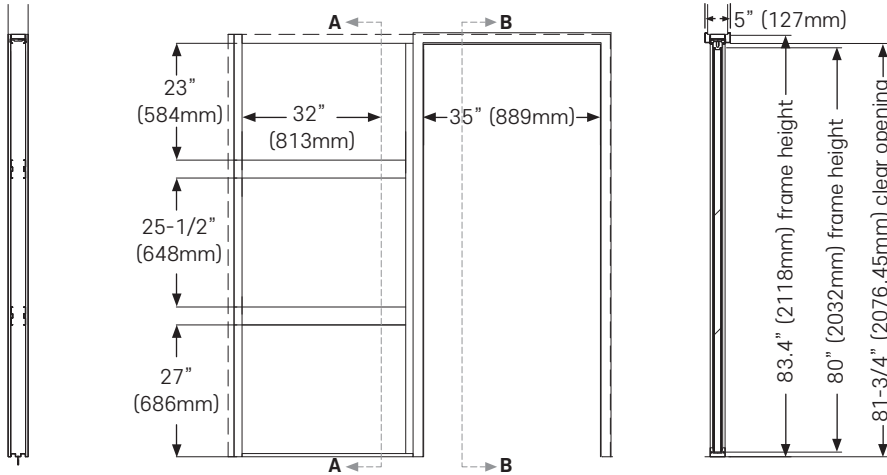
Front of wall system (wall or ceiling mount) are custom built to suit max door size of 72" (1829mm) x 120" (3048mm)

Maximum door weight = 190 lbs (86 kg). **Sizes not listed above & lift system are custom made, call for quote.**

Cross section
A - A

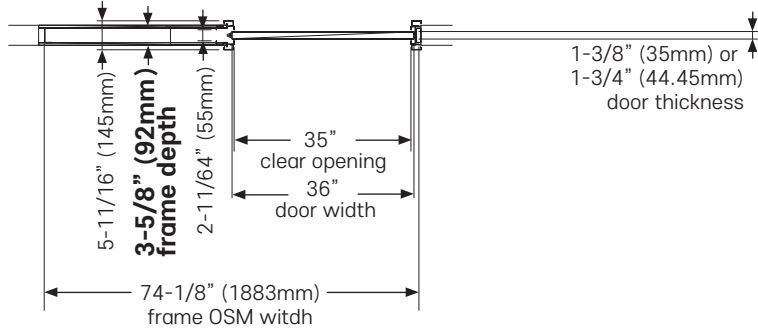
Dimensions below for a typical frame for
a 36" (914mm) x 80" door (2032mm)

Cross section
B - B



R.O. = 2 x door width plus 3" (76mm).
Door height plus 5" (127mm) = R.O. height.
Based on 3/4" (19mm) finished flooring thickness.

Closed Door



Typical gapping under door to finished floor = 11/16" (17mm).

Pocket frame is installed on top of finished floor. If finished floor is not installed before pocket frame installation, then frame will be shimmed up for floor thickness.

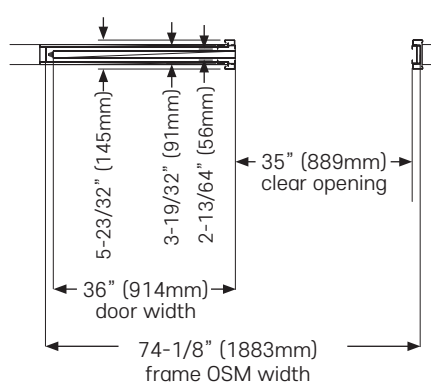
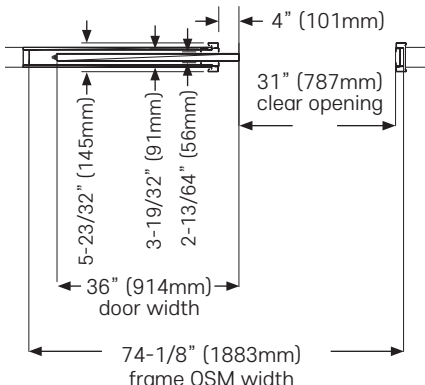
Plywood can be applied to one side or both sides of pocket frame cage. Call for plywood pricing.

Frame designed for 1/2" (12.7mm) or 5/8" (15.8mm) drywall.

Mondoor® Floating Pocket Door - Frame Systems can only be installed by certified Mondoor® Installers.

Door in pocket with handle

Door in pocket with flush pull



Mondoor® Pocket Frame includes: Magnets for top of door and all trim is included for both sides of frame.

Trim available in 3 standard powder coated finishes: white, slate grey & bronze (RAL). Custom colors or wood grain also available, call for quote.

Frame available fully assembled or KD. KD frame has to be riveted together on the job site. Rivets are supplied.

Please note: door panel for Mondoor® pocket frame by other, not included.