

KT40PDF Residential or Commercial Series, Pocket Door Track & Hardware

For 2 x 4 wall 1-3/8" (35mm) door thickness only

ARCHITECTURAL SPECIFICATIONS

MAXIMUM DOOR WEIGHT: KT40HANGER = 220 lbs (100 kg) = two hangers. **NEW KT38HANGER = 132 lbs (60 Kg) = two hangers.**

MIN & MAX DOOR THICKNESS: 1-3/8" to 1-3/4" (35mm to 44.45mm).

MAXIMUM CAPACITY: Width and height of the door may vary beyond standard sizes provided the weight of the door does not exceed the maximum weight listed above.

VERTICAL ADJUSTMENT: 3/8" (9.5mm).

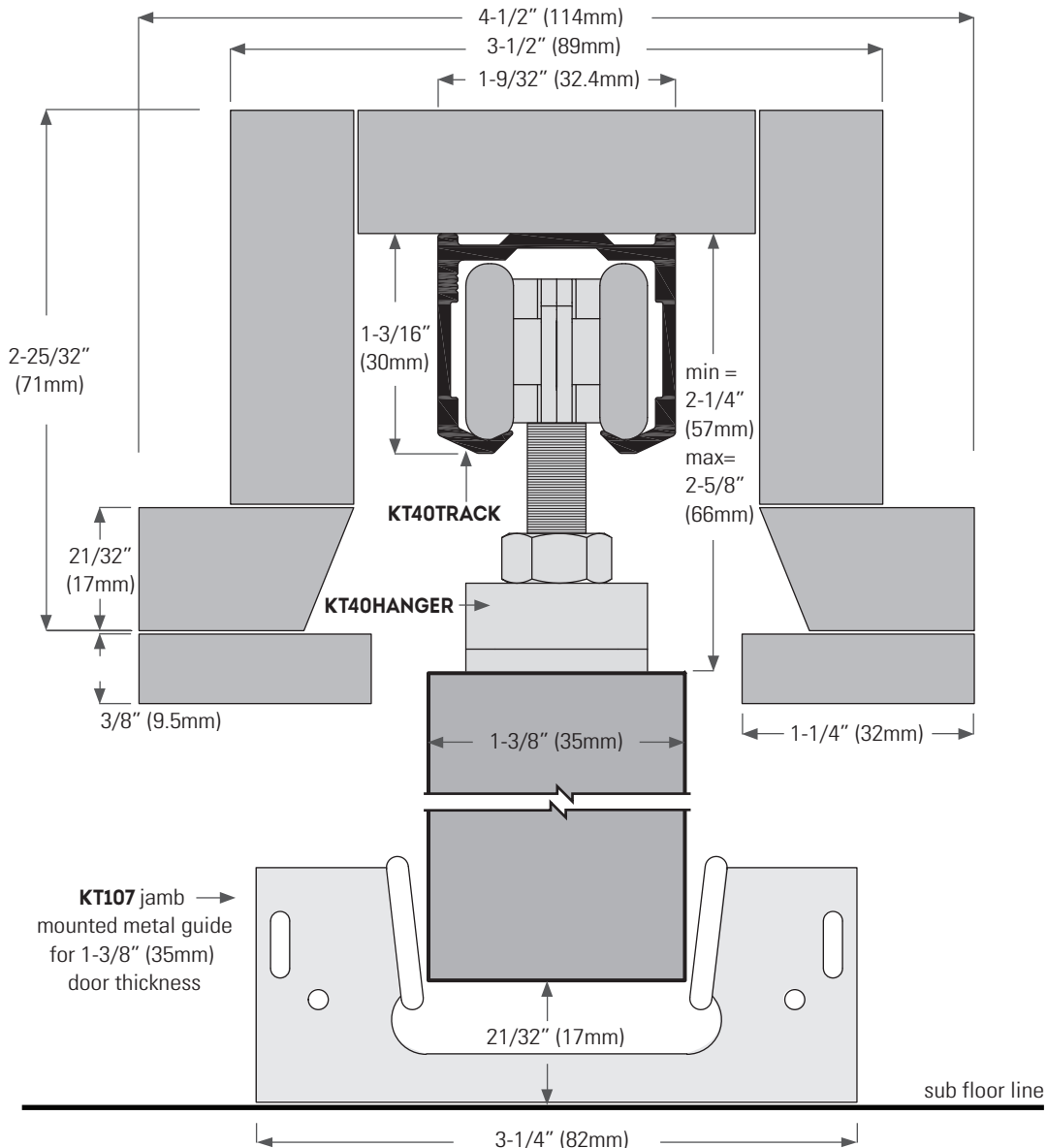
TRACK: Extruded aluminum, mill finish. 7 stock lengths available, refer to price list.

HANGER: Steel carrier, plated, 4 nylon wheels, ball bearing. **Intrack stop included with KT38HANGER.**

OPTIONS: KT23 floor channel extruded aluminum, clear or bronze anodized with PVC insert, 7 stock lengths available, refer to price list. Also available KT20 & KT19 floor channels. KT146 wallmount brackets. KT151 face door mount bracket.

HARDWARE KITS: **KT40HDKIT for KT40PDF series, single pocket door application:** consists of (poly-bagged) KT40HANGER (2 ea) hangers, KT107 (1 ea) split jamb mounted guide, KT123 (1 ea) HD screw on bumper, KT157 (1 ea) wrench, installation sheet plus all screws. For biparting pocket doors KT40HDKIT (2 ea) & KT125 (2 ea) intrack bumper stops are required.

KT40KIT for single door application: consists of KT40HANGER (2 ea) hangers, KT102 (2 ea) guides, KT157 (1 ea) wrench, installation sheet plus all screws.

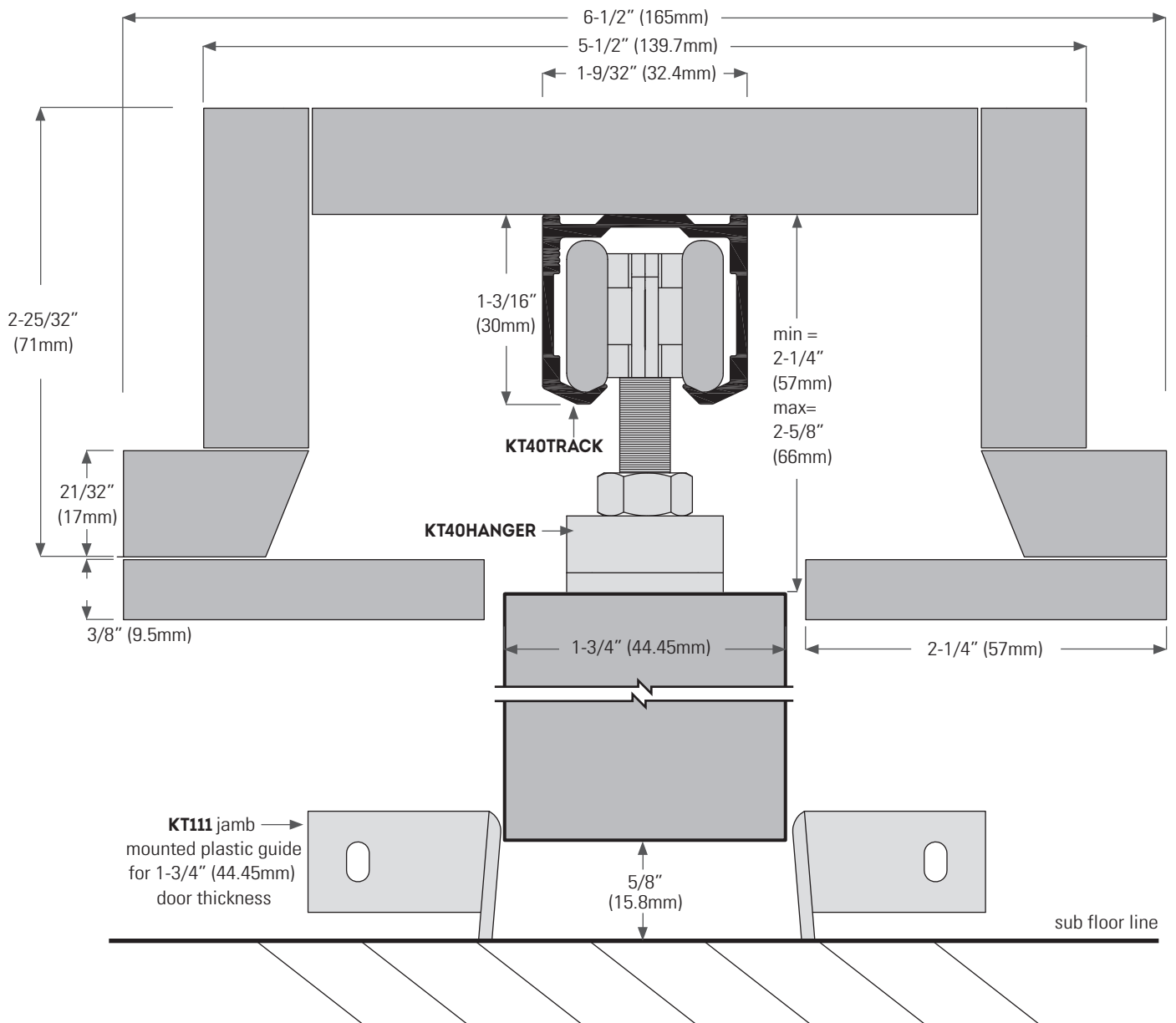


KT40PDF Residential or Commercial Series, Pocket Door Track & Hardware

For 2 x 6 wall 1-3/4" (44.45mm) door thickness only

ARCHITECTURAL SPECIFICATIONS

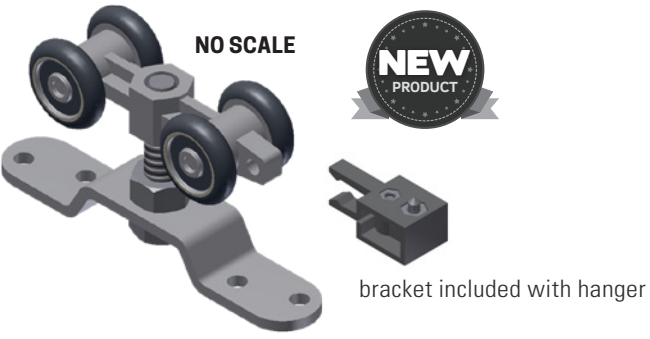
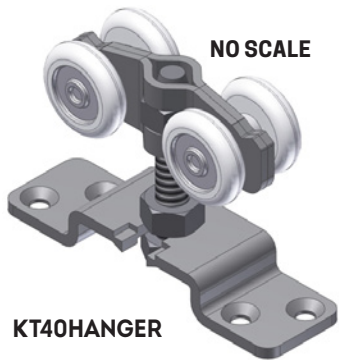
MAXIMUM DOOR WEIGHT:	KT40HANGER = 220 lbs (100 kg) = two hangers. NEW KT38HANGER = 132 lbs (60 Kg) = two hangers.
MIN & MAX DOOR THICKNESS:	1-3/8" to 1-3/4" (35mm to 44.45mm).
MAXIMUM CAPACITY:	Width and height of the door may vary beyond standard sizes provided the weight of the door does not exceed the maximum weight listed above.
VERTICAL ADJUSTMENT:	3/8" (9.5mm).
TRACK:	Extruded aluminum, mill finish. 7 stock lengths available, refer to price list.
HANGER:	Steel carrier, plated, 4 nylon wheels, ball bearing. Intrack stop included with KT38HANGER.
OPTIONS:	KT23 floor channel extruded aluminum, clear or bronze anodized with PVC insert, 7 stock lengths available, refer to price list. Also available KT20 & KT19 floor channels. KT146 wallmount brackets. KT151 face door mount bracket.
HARDWARE KITS:	<p>KT40HDKIT for KT40PDF series, single pocket door application: consists of (poly-bagged) KT40HANGER (2 ea) hangers, KT107 (1 ea) split jamb mounted guide, KT123 (1 ea) HD screw on bumper, KT157 (1 ea) wrench, installation sheet plus all screws. For biparting pocket doors KT40HDKIT (2 ea) & KT125 (2 ea) intrack bumper stops are required.</p> <p>KT40KIT for single door application: consists of KT40HANGER (2 ea) hangers, KT102 (2 ea) guides, KT157 (1 ea) wrench, installation sheet plus all screws.</p>



KT40PDF Residential or Commercial Series, Pocket Door Track & Hardware

For 2 x 4 wall 1-3/8" (35mm) & 2 x 6 wall 1-3/4" (44.45mm) door thickness

Two Hanger Choices **KT40HANGER** or **KT38HANGER**



KT38HANGER
With intrack stop / hold bracket (soft close)