

KT28PDF RESIDENTIAL SERIES: Pocket Door Track & Hardware

ARCHITECTURAL SPECIFICATIONS

MAXIMUM DOOR WEIGHT: 150 lbs (60 kg) = 2 hangers.

MIN & MAX DOOR THICKNESS: 1-3/8" (35mm) only

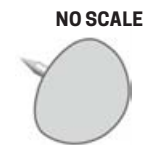
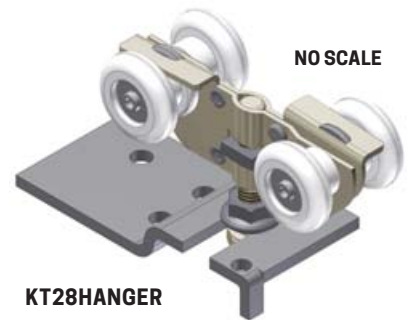
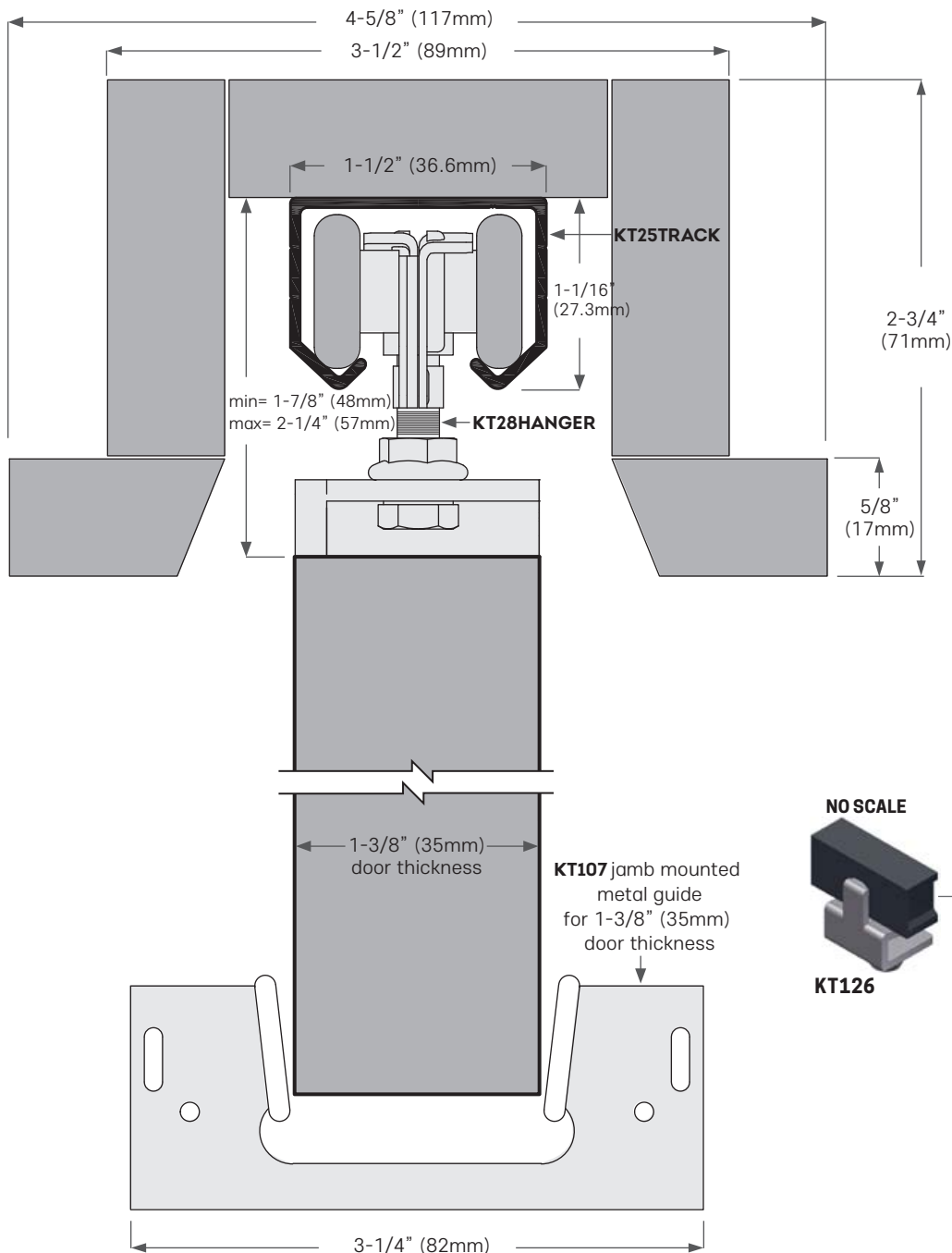
MAXIMUM CAPACITY: Width and height of the door may vary beyond standard sizes provided the weight of the door does not exceed the maximum weight listed above.

VERTICAL ADJUSTMENT: 3/8" (9.5mm).

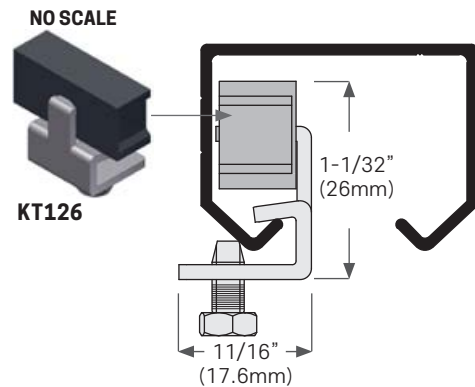
TRACK: Extruded aluminum, mill finish. 2 stock lengths available, refer to price list.

HANGER: Steel carrier, plated, 4 plastic wheels, ball bearing.

HARDWARE KITS: KT28KITNB for one door application, consists of (poly-bagged) KT28HANGER (2 ea) hangers, KT107 (1 ea) jamb mounted guide, KT155 (1 ea) wrench, installation sheet plus all screws. For bi-parting pocket doors two KT28KITNB required and two KT126 Intrack door stops required.



KT122 Bumper stop, nail on, white, included with pocket door frame.



KT126 Intrack bumper door stop for bi-parting pocket doors.