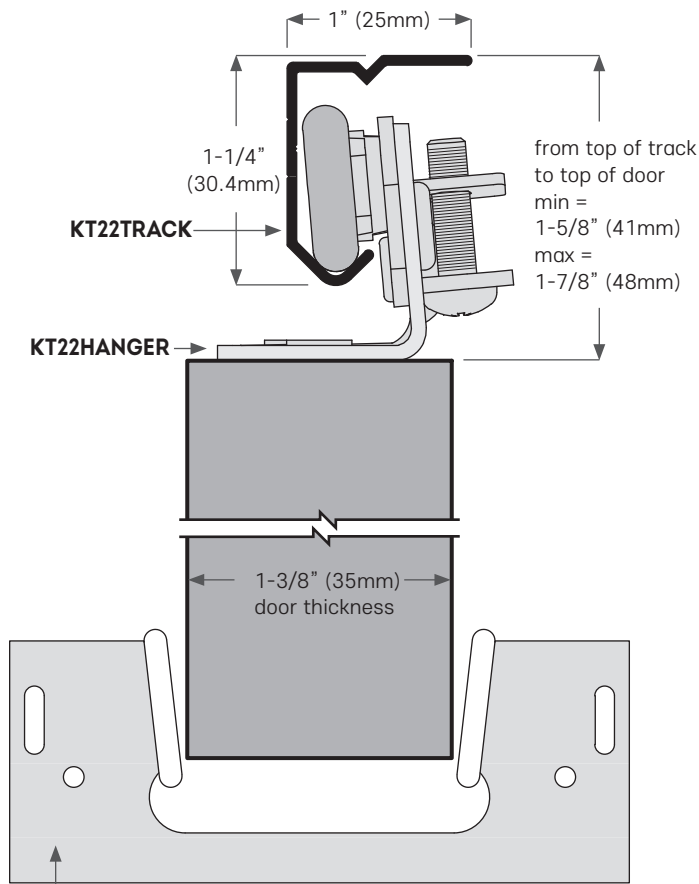


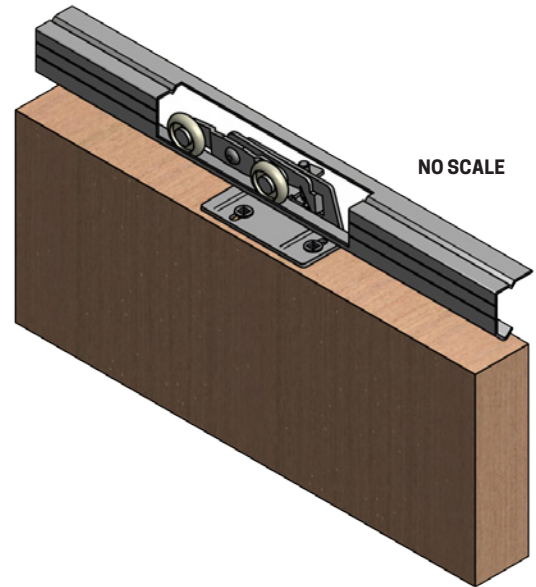
# KT22PDF RESIDENTIAL SERIES: Pocket Door Track & Hardware

## ARCHITECTURAL SPECIFICATIONS FOR KT28 & KT29 RESIDENTIAL SERIES

<b>MAXIMUM DOOR WEIGHT:</b>	75 lbs (34 kg) = 2 hangers
<b>MIN &amp; MAX DOOR THICKNESS:</b>	1-3/8" (35mm) only
<b>MAXIMUM CAPACITY:</b>	1/4" (6mm)
<b>TRACK:</b>	Extruded aluminum, mill finish, 2 stock lengths available, see price list
<b>HANGER:</b>	Steel carrier zinc plated, 2 plastic wheels
<b>HARDWARE KITS:</b>	KT22KIT for 1 door application, comprising of KT22HANGER (2 ea) hangers, KT107 (1 ea) plastic jamb mounted guide, KT122 (1 ea) nail on bumper stop, installation sheet plus all screws



KT107 Jamb mounted metal guide.



KT122 Bumper stop, nail on, white