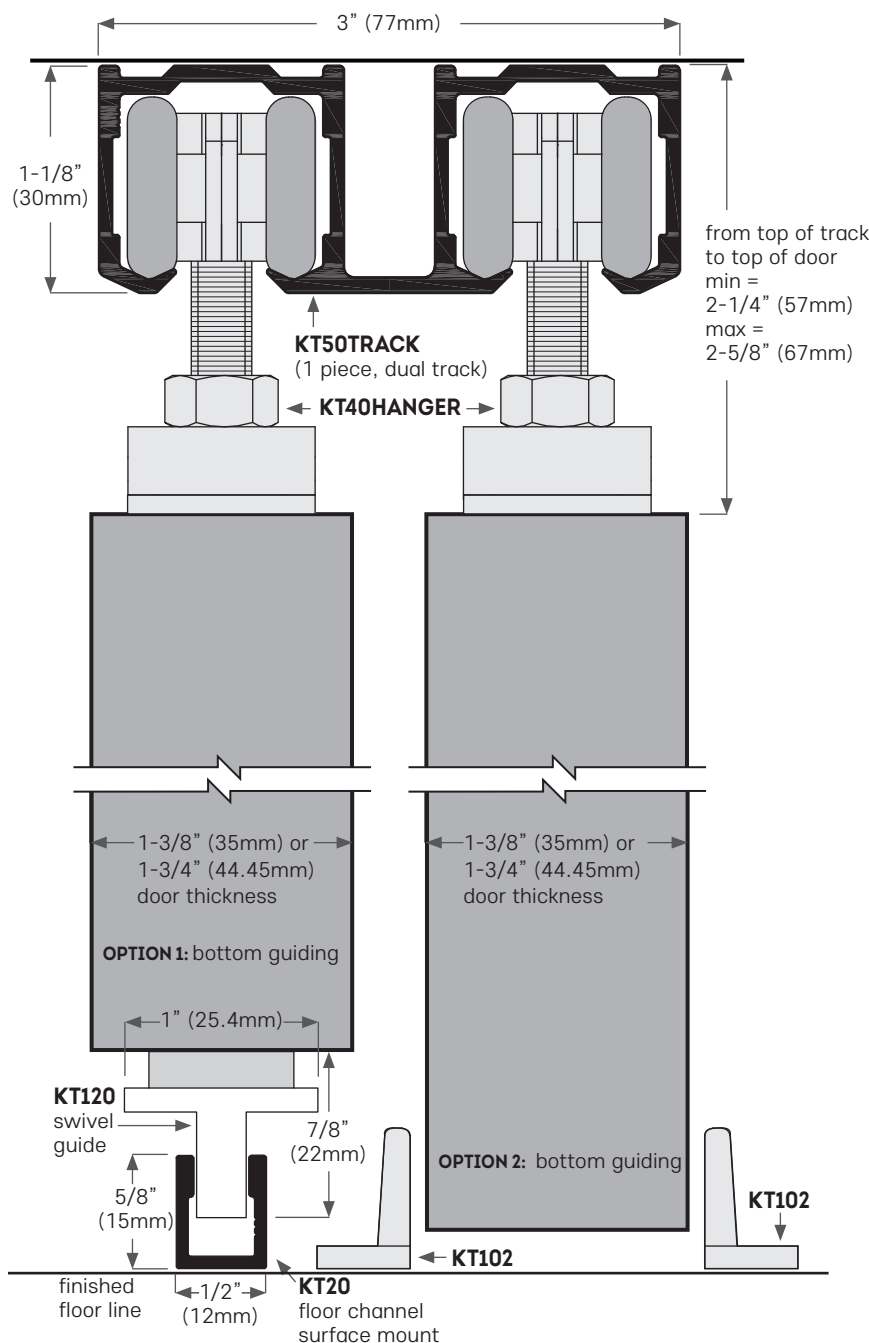


KT50 COMMERCIAL SERIES: Ceiling Mount Bypass Sliding Door Track & Hardware

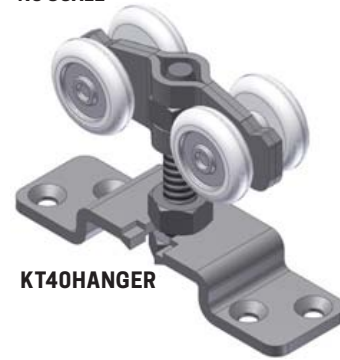
ARCHITECTURAL SPECS

MAXIMUM DOOR WEIGHT:	KT40HANGER = 220 lbs (100 kg) = two hangers. NEW KT38HANGER = 132 lbs (60 Kg) = two hangers.
MIN & MAX DOOR THICKNESS:	1-3/8" to 1-3/4" (35mm to 44.45mm)
MAXIMUM CAPACITY:	Width and height of the door may vary beyond standard sizes provided the weight of the door does not exceed the maximum weight listed above.
VERTICAL ADJUSTMENT:	3/8" (9.5mm)
TRACK:	Extruded aluminum, mill finish. 8 stock lengths available, refer to price list.
HANGER:	Steel carrier, plated, 4 nylon wheels, ball bearing. Intrack stop included with KT38HANGER.
OPTIONS:	KT20 extruded aluminum floor channel with KT120 steel plate, nylon swivel guide, minimum door thickness 1-3/8" (35mm) when using floor guide channel. Oblong flush pulls size 1-5/8" (410mm) x 4-1/2" (1143mm) available in finishes, KT174DCH (dull chrome), KT174BRZ powder coat bronze, KT174CH bright chrome.
HARDWARE KITS:	KT50KIT for 2 door application, consists of (poly-bagged) KT40HANGER (4 ea) hangers, KT102 (3 ea) floor mounted offset guides, KT157 (1 ea) wrench, installation sheet plus all screws.



Two Hanger Choices KT40HANGER or KT38HANGER

NO SCALE

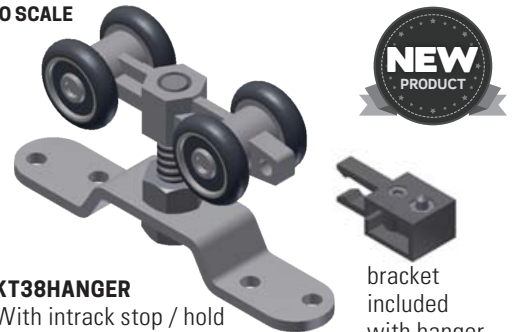


KT40HANGER

from top of track to top of door
min = 2-1/4" (57mm)
max = 2-5/8" (67mm)

Refer to max door weight above for hanger capacity

NO SCALE



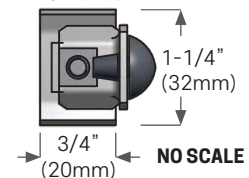
KT38HANGER

With intrack stop / hold bracket (soft close)



bracket included with hanger

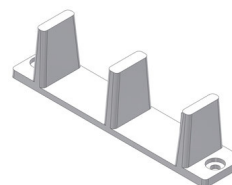
TOP VIEW



BACK VIEW



KT125 Intrack bumper stop



KT106 Floor guide (plastic) for 1-3/8" door thickness (optional guide)