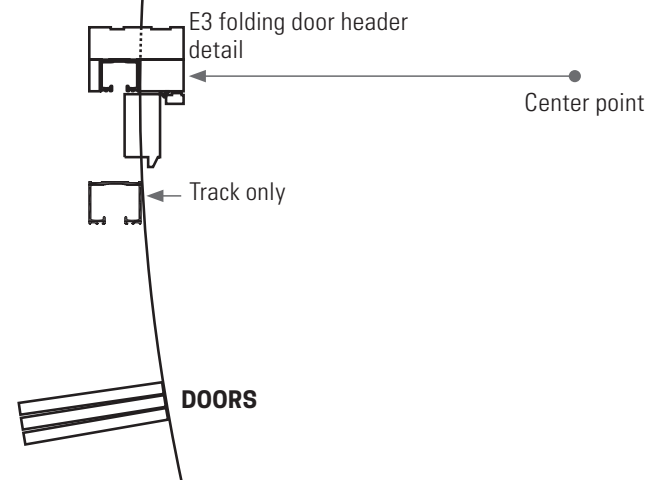




Radius Application

DOORS
EXTERIOR
INTERIOR



KT-RADIUS SERIES



Arc Length (AL)

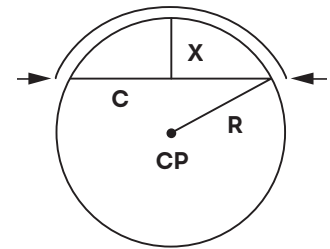
R = Radius (length from the C.P. to the edge of the circle)

C = chord length

X = height of crown

CP = center point

AL = arc length



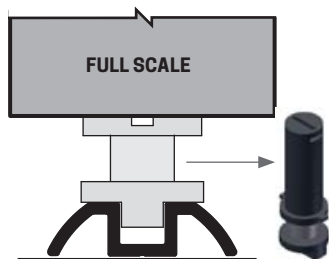
Minimum Radius

14'-7" / 175" (4445mm)

to inside face of top track.

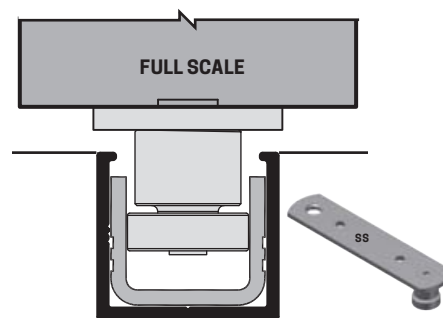
(Warranty on hardware void if under minimum radius)

Floor Channels Available for Radius Application



KT19C-RADIUS120 aluminum clear anodized, 120" (3048mm)

KT19D-RADIUS120 bronze anodized, 120" (3048mm)



KT23D-RADIUS156 bronze anodized with PVC insert, 156" (3962mm)

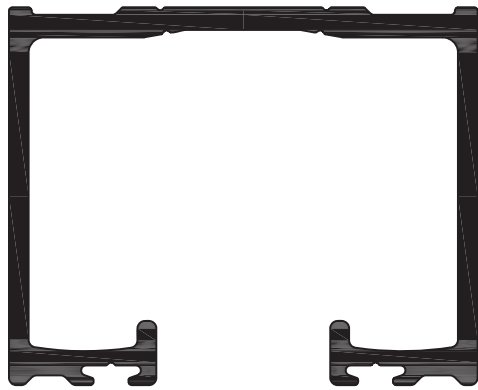
KT-RADIUS SERIES

ARCHITECTURAL SPECS

MAXIMUM DOOR WEIGHT:	Weights listed next to each track
MIN & MAX DOOR THICKNESS:	1-3/8" (35mm) to 1-3/4" (44.45mm)
MAXIMUM CAPACITY:	Width and height of the door may vary beyond standard sizes provided the weight of the door does not exceed the maximum weight listed above.
VERTICAL ADJUSTMENT:	Listed next to each track
TRACK & CHANNEL:	Extruded aluminum, mill finish, clear or bronze anodized. Finishes listed below each track
HANGER:	Steel carrier, plated, 4 nylon wheels, ball bearing or Stainless steel carrier, 4 nylon wheels, ball bearing.



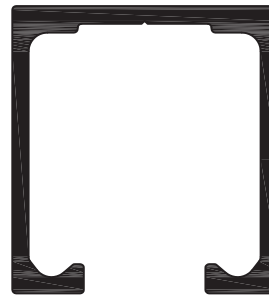
Top Tracks Available for Radius Application



WEIGHT:
650 lbs (300 kg) = two hangers

VERTICAL ADJUSTMENT:
3/8" (9.5mm)

KT70D-RADIUS156 bronze anodized, 156" (3962mm)



WEIGHT:
385 lbs (175 kg) = two hangers

VERTICAL ADJUSTMENT:
3/4" (6mm)

KT41C-RADIUS156 aluminum clear anodized, 156" (3962mm)
KT41D-RADIUS156 bronze anodized, 156" (3962mm)



NO SCALE

KT70HANGERSS stainless steel

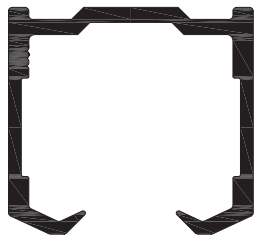


NO SCALE

KT41HANGER



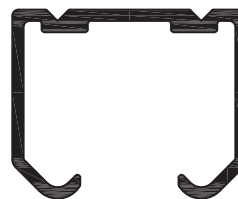
KT41HANGERSS stainless steel



WEIGHT:
220 lbs (100 kg) = two hangers

VERTICAL ADJUSTMENT:
3/8" (9.5mm)

KT40A-RADIUS156 aluminum mill finish, 156" (3962mm)



WEIGHT:
132 lbs (60 kg) = two hangers

VERTICAL ADJUSTMENT:
1/4" (6mm)

KT33D-RADIUS156 aluminum bronze anodized, 156" (3962mm)



NO SCALE

KT40HANGER



NO SCALE

KT33HANGERSS stainless steel