

KT-FRAME RM SERIES: Pocket door wood frames (ready made style) single & double

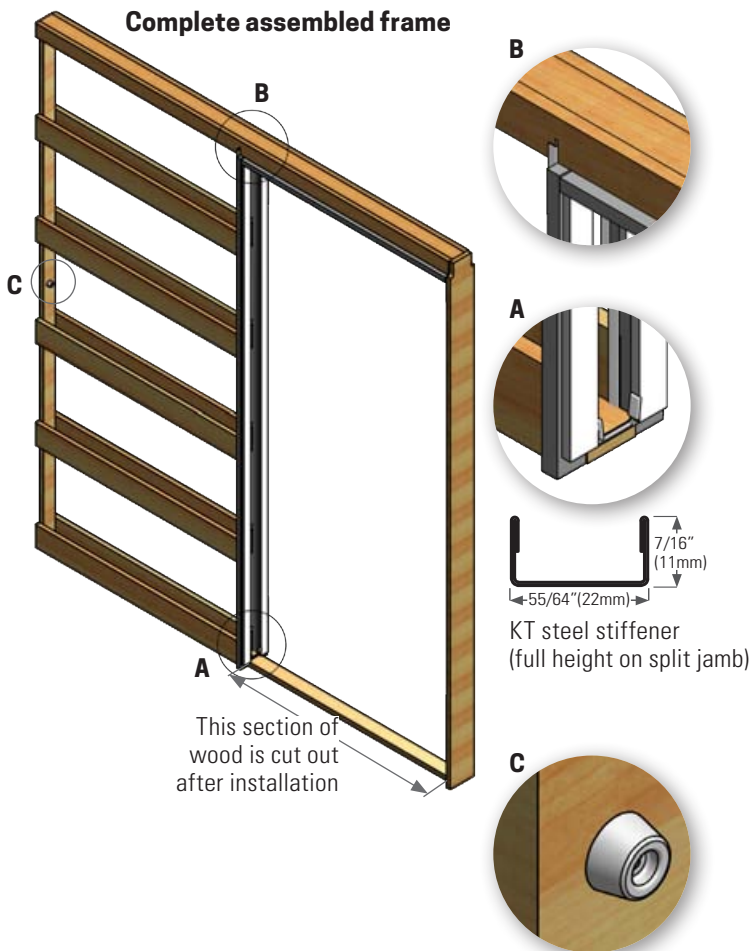
The Ready Made style (RM) is fully assembled for quick and easy installation.

Frames built for 4-1/2" (114.3mm) wall thickness are designed to hold doors 1-3/8" (34.92mm) thick.
 Frames built for 6-1/2" (165.1mm) wall thickness are designed to hold doors up to 1-3/4" (44.45mm) thick.

Hardware Kit Included (attached to each frame).

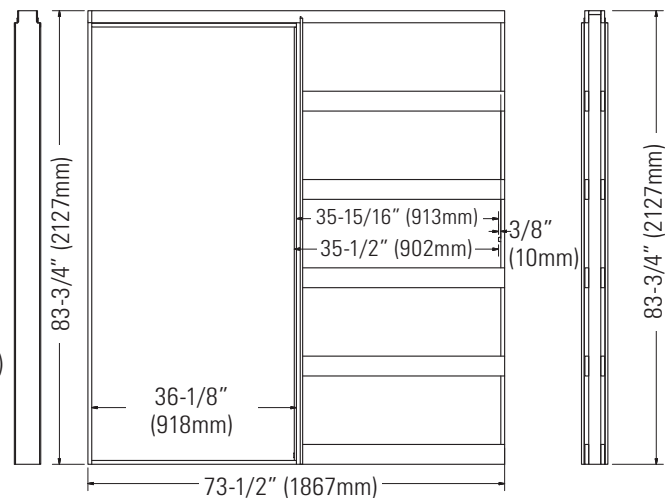
ARCHITECTURAL SPECS

ROUGH OPENING (RO)	RO in width: 2 times the door size plus 2" (51mm) RO in height: 4" (102mm) more than door height Double pocket door frame: 4 times door width, + 2" (50.8mm)
MAX DOOR WEIGHT	KT25 frame RM: 100 lbs (45 kg), 2 hangers (KT25HANGER) KT28 frame RM: 150 lbs (60 kg), heavy duty, 2 hangers (KT28HANGER) KT40 frame RM: 220 lbs (100 kg), commercial application, 2 hangers (KT40HANGER)
TRACK	KT25 frame RM: Extruded aluminum box track. For biparting pocket doors 2 KT126 intrack door stops required. KT28 frame RM: Extruded aluminum box track. For biparting pocket doors 2 KT126 intrack door stops required. KT40 frame RM: Extruded aluminum box track. For biparting pocket doors 2 KT125 intrack door stops required.



Typical pocket door frame construction

Example shown for standard 3' (915mm) x 6'-8" (2032mm) door



NOTE: replace all track screws with # 8 x 1-1/2" (38mm) screws (included) after frame is installed and before drywall.

Standard size frames available in both single and double, for 4-1/2" (114mm) and 6-1/2" (165.1mm) wall thickness:

1'6" x 6'8" (457mm x 2032mm)	2'4" x 6'8" (711mm x 2032mm)	2'10" x 6'8" (63mm x 2032mm)
2'0" x 6'8" (609 mm x 2032mm)	2'6" x 6'8" (762mm x 2032mm)	3'0" x 6'8" (914mm x 2032mm)
2'2" x 6'8" (660mm x 2032mm)	2'8" x 6'8" (812mm x 2032mm)	3'0" x 7'0" (914mm x 2134mm)

Custom made frames (non returnable), consult factory. Refer to KT Price List for product numbers.