

KT70 COMMERCIAL SERIES: Ceiling mount sliding door track & hardware

ARCHITECTURAL SPECIFICATIONS

MAXIMUM DOOR WEIGHT: 650 lbs (300 kg) = two hangers

MIN & MAX DOOR THICKNESS: 1-3/8" (35mm), 1-3/4" (44.45mm) or 2-1/4" (57mm)

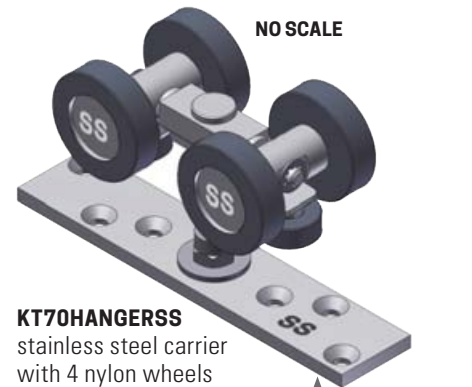
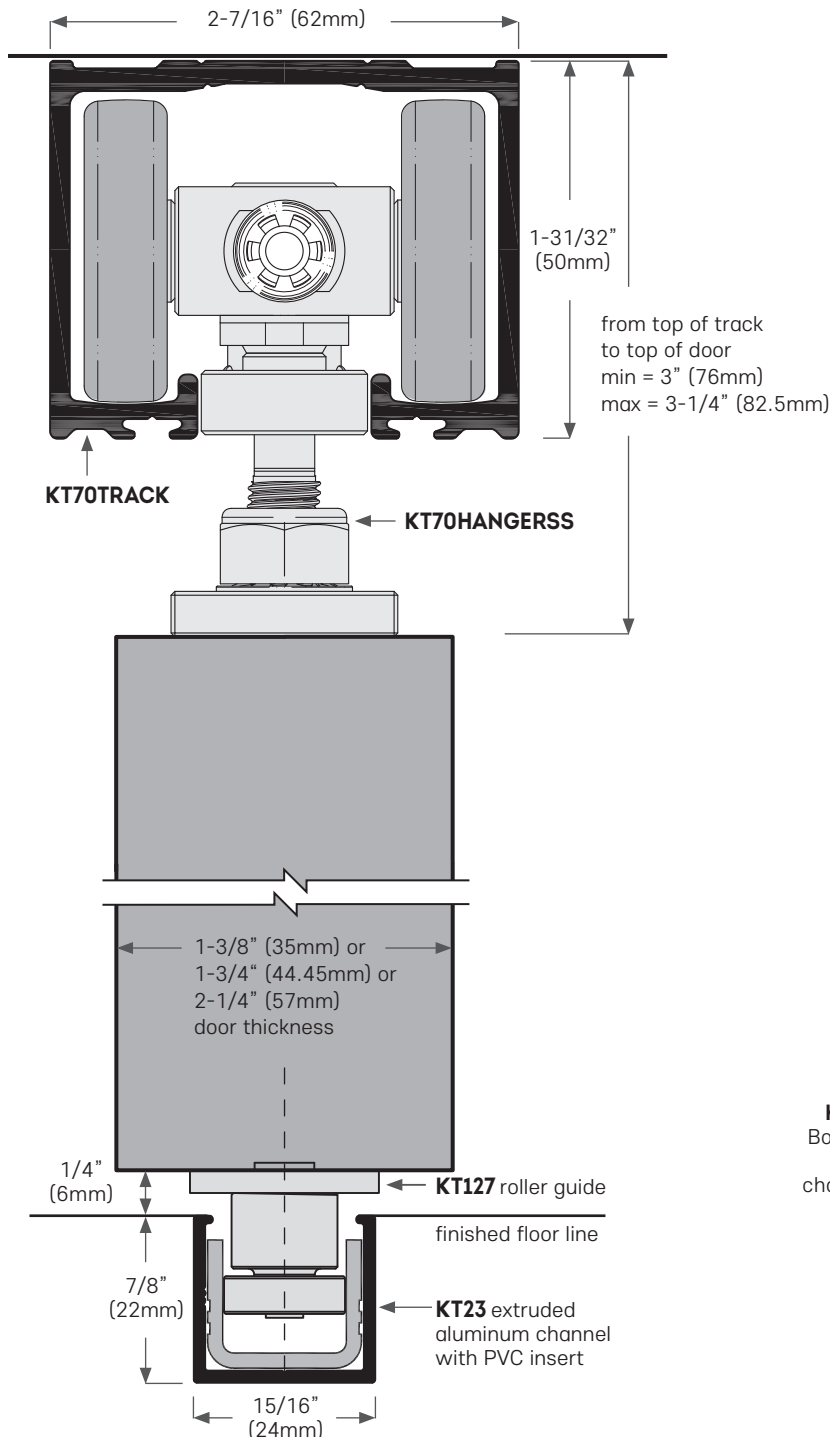
MAXIMUM CAPACITY: Width and height of the door may vary beyond standard sizes provided the weight of the door does not exceed the maximum weight listed above

VERTICAL ADJUSTMENT: 1/4" (6.3mm)

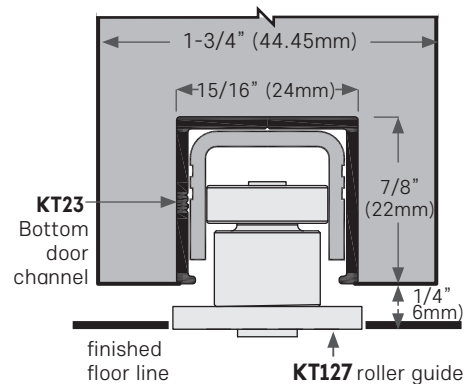
TRACK: Extruded aluminum bronze anodized. 5 stock lengths available, refer to price list.

HANGER: Stainless steel carrier, 4 nylon wheels, ball bearing

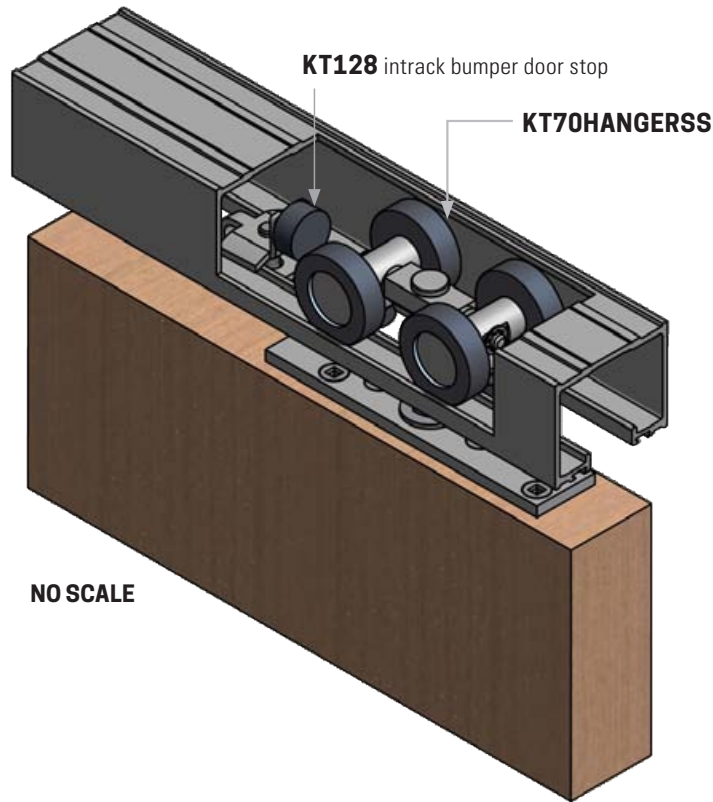
OPTIONS: KT23 extruded aluminum floor channel, bronze anodized, with PVC channel insert. 7 stock lengths available, refer to price list.



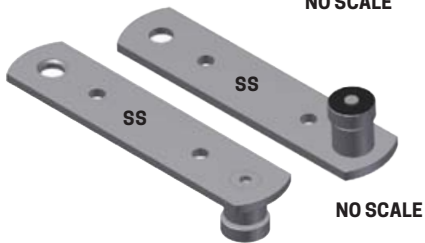
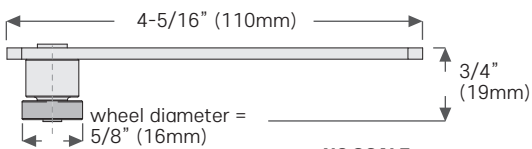
KT70RPLATE
Mounting plate only for **KT70HANGERSSS** (replacement part)



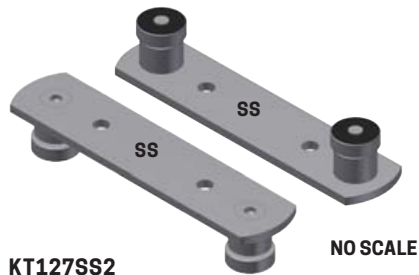
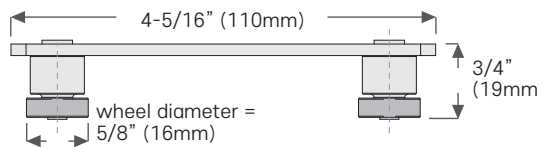
KT70 COMMERCIAL SERIES: Straight sliding door track & hardware, ceiling mount



Floor Mounted Or Bottom Of Door Mounted Roller Guide

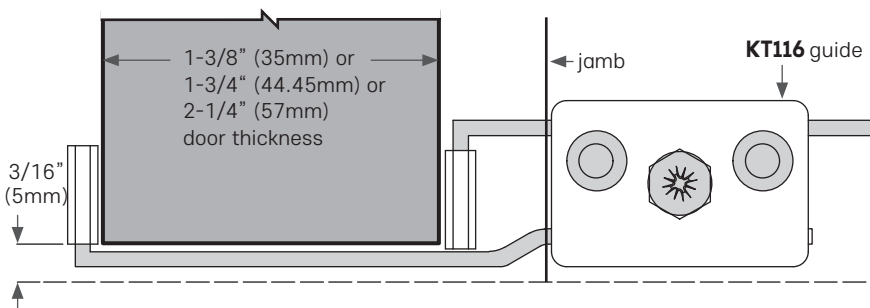


KT127SS1
Roller guide, single wheel, stainless steel



KT127SS2
Roller guide, double wheel, stainless steel

Jamb Mounted Guide



KT116 Adjustable bottom guide (metal & plastic), for doors up to 1-3/4" (45mm) thick

