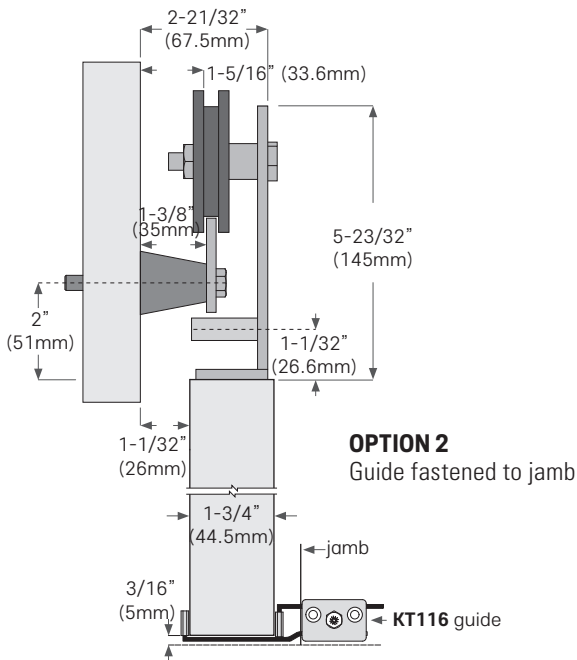
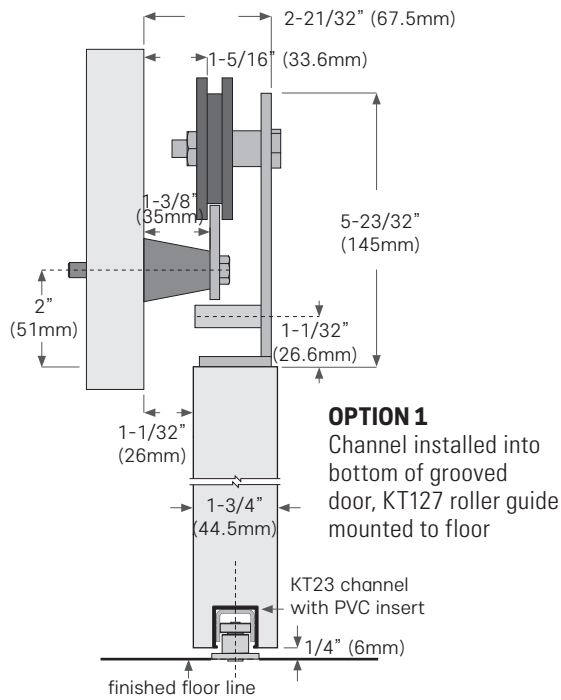


KTA8 ALL STAINLESS STEEL

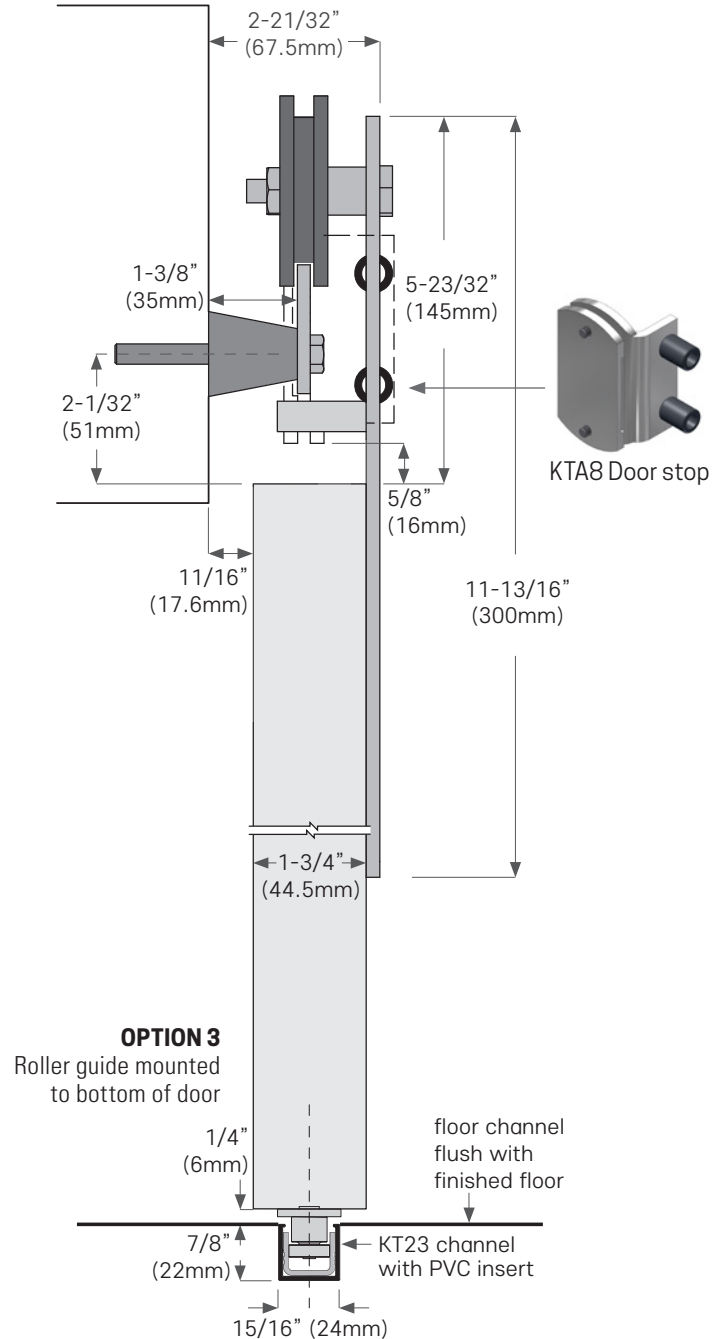
Open Rail Track System for Sliding Doors

A8 OPEN RAIL TRACK SYSTEM FOR SLIDING DOORS, ALL STAINLESS STEEL

Top Mount Side View



Face Mount Side View



ARCHITECTURAL SPECIFICATIONS

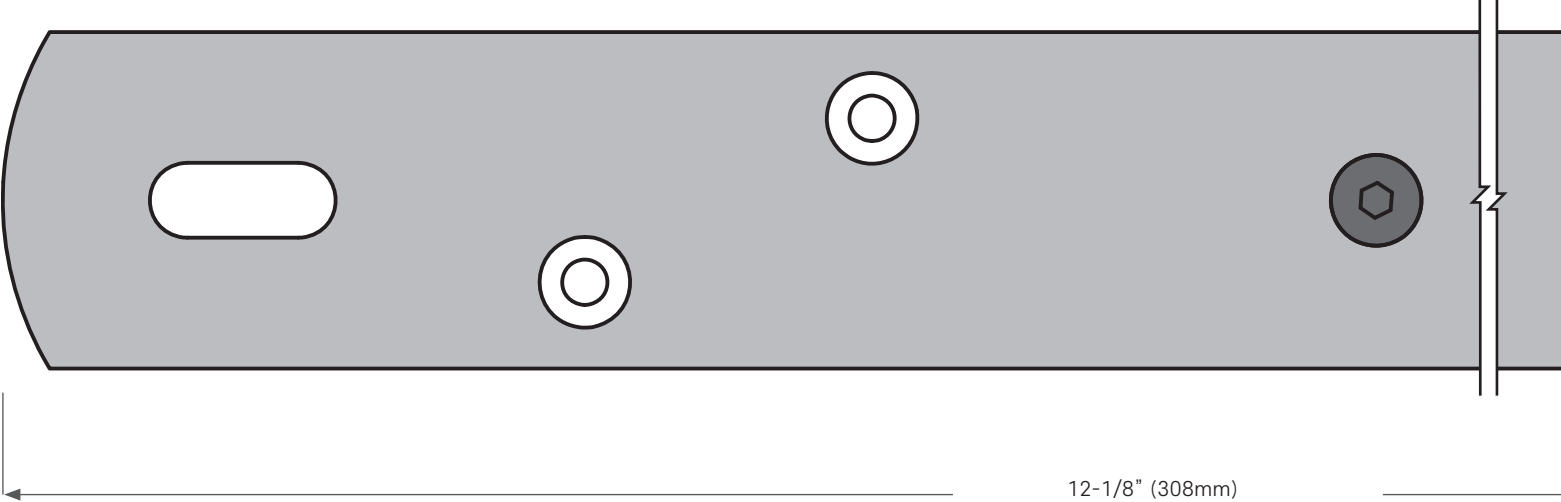
- Max door weight:** 650 lbs (300kg) = 2 carriers
- Max door thickness:** 2-1/4" (57.15mm)
- Max door width:** 144" (12 ft / 3658mm)
- Max door height:** 144" (12 ft / 3658mm)

Panel Sizing

Weight dictates door dimensions, however for panels over 10 ft. (3000mm) wide, use three carriers for additional lateral support. If using three, adjust the middle carrier high to avoid it bearing any load.

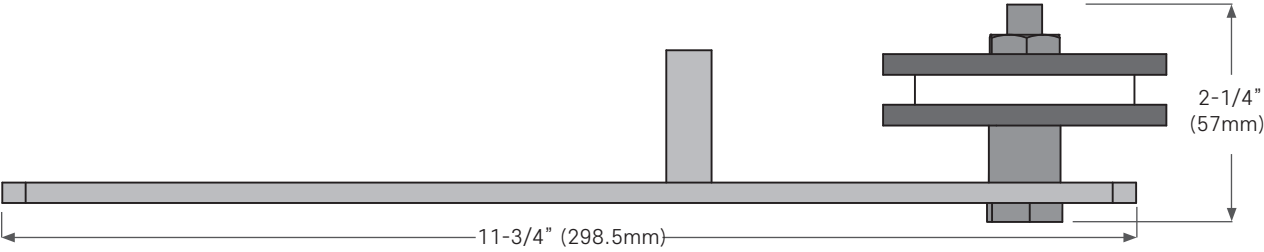
- Open rail:** flat bar stainless steel 304 (brushed or black)
- Carriers:** all stainless steel (face mount or top mount)
- Door stop:** all stainless steel with rubber bumpers
- Floor channel:** aluminum with pvc channel insert, bronze anodized
- Guides:** jamb mounted or floor mounted or bottom of door mounted

KTA8 CARRIER FACE MOUNT, STAINLESS STEEL 304



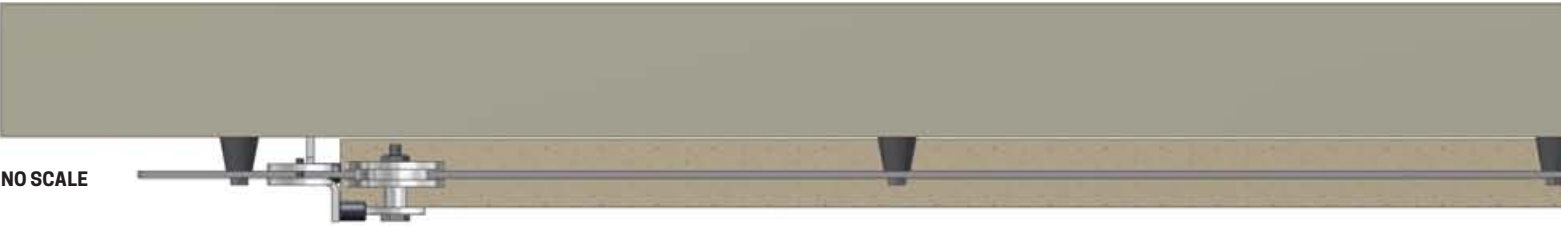
KTA8FACEFCSS Carrier, face mounted on door, brushed stainless steel.
KTA8FACEFCBL Carrier, face mounted on door, black electro plating over stainless steel.

All carriers supplied with mounting fasteners.

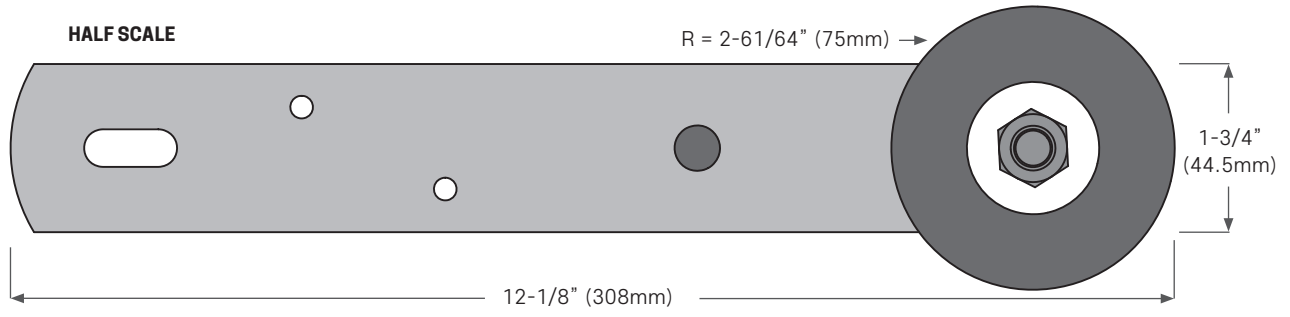
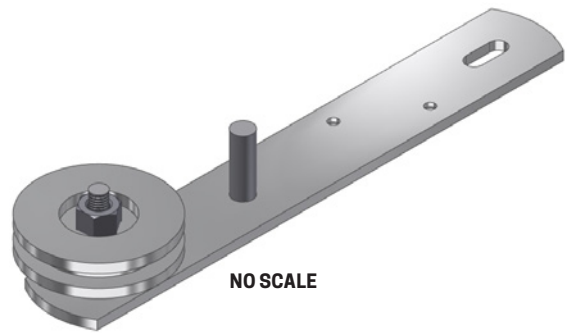
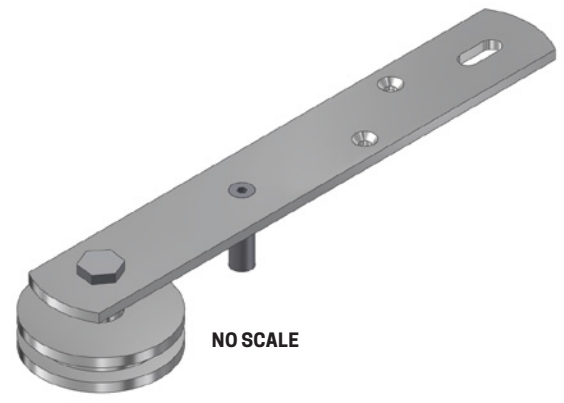
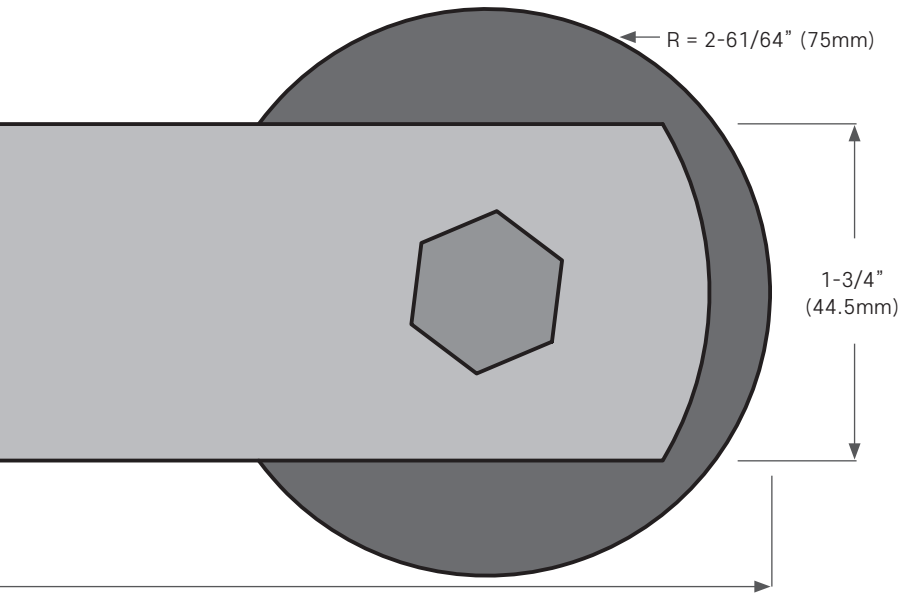


HALF SCALE

TOP VIEW



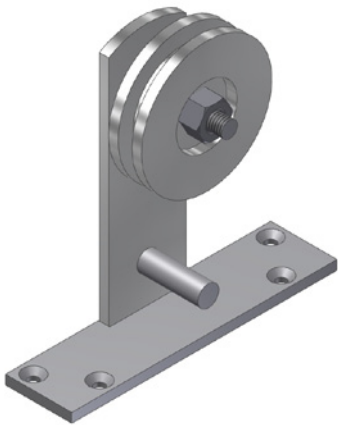
NO SCALE



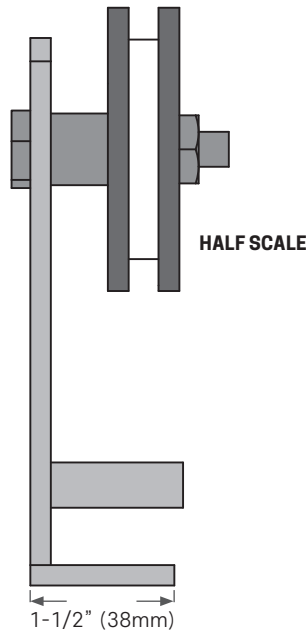
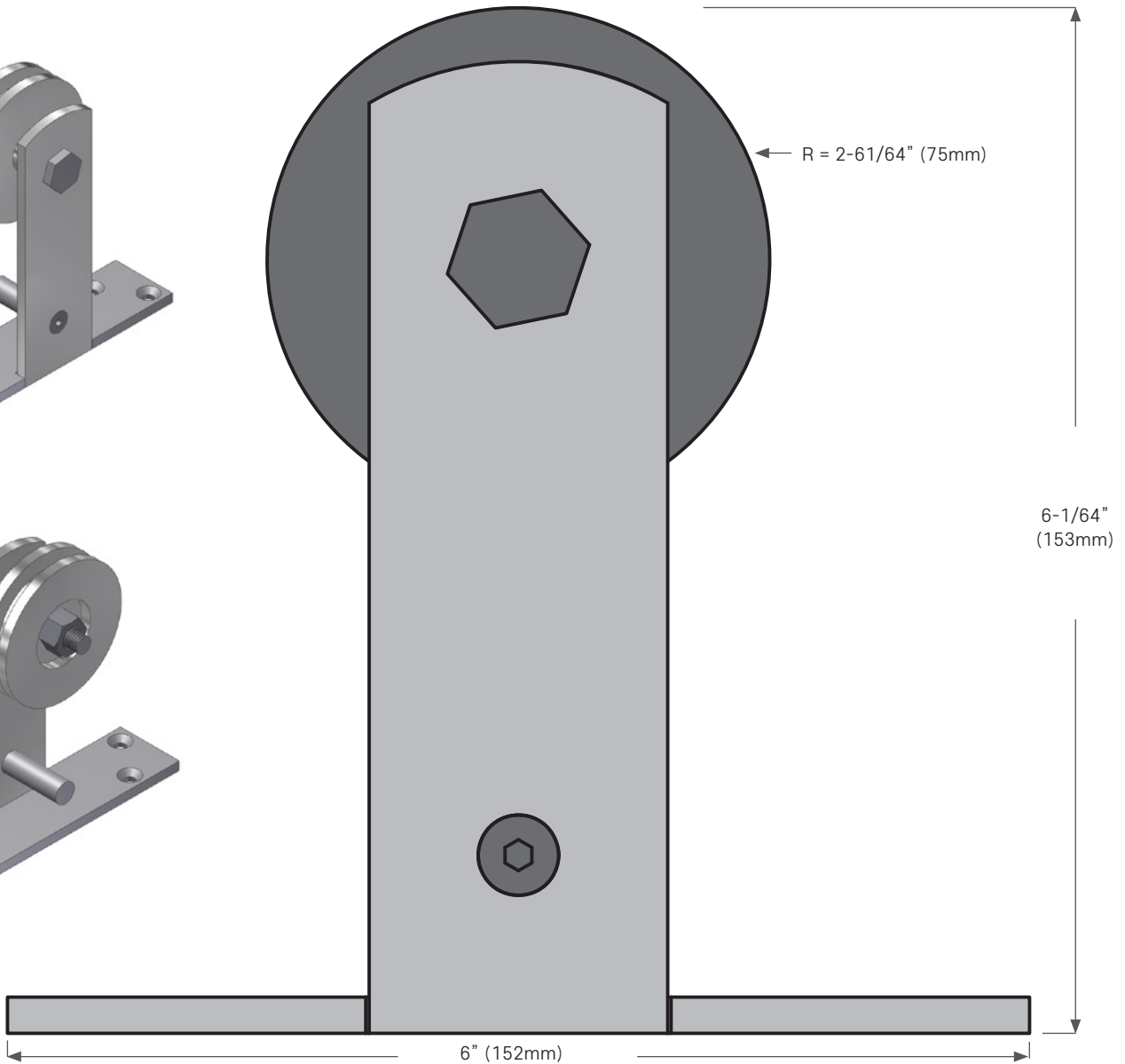
A8 CARRIER TOP MOUNT, STAINLESS STEEL 304



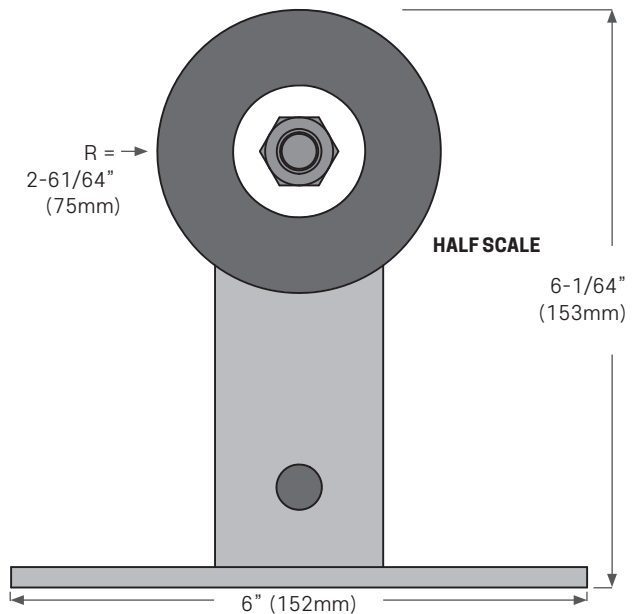
NO SCALE



NO SCALE



HALF SCALE



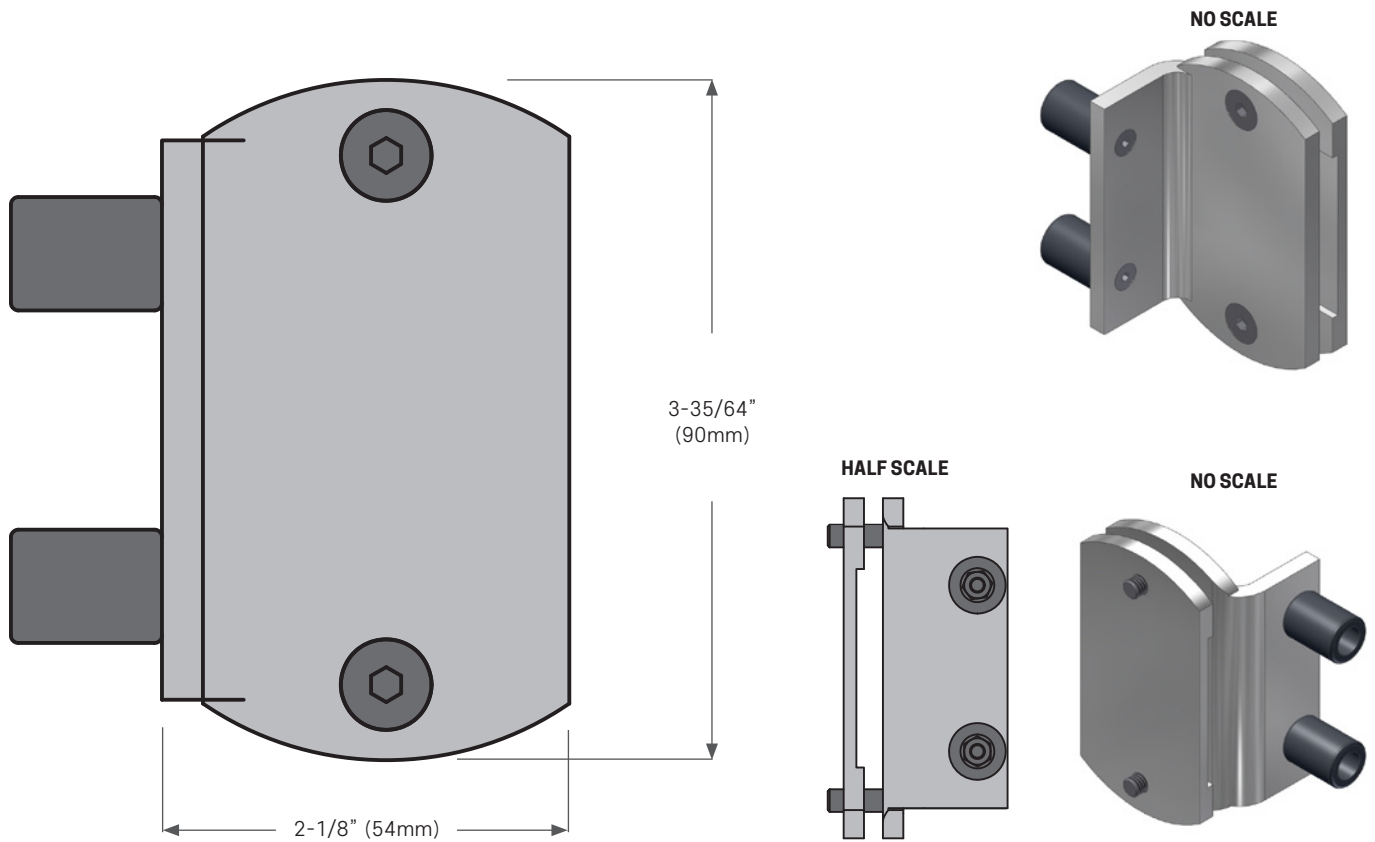
HALF SCALE

KTABTOPFCSS Carrier, top mounted on door, brushed stainless steel.

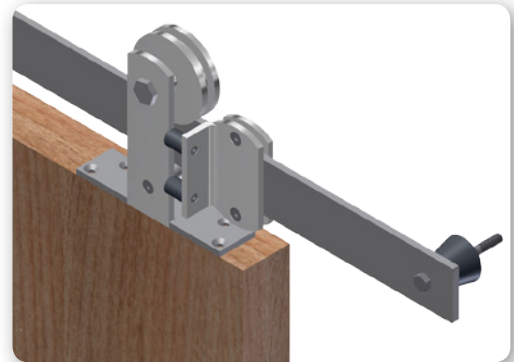
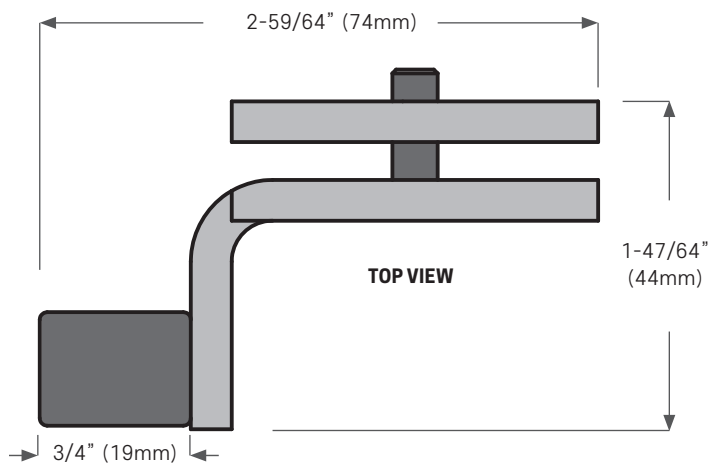
KTABTOPFCBL Carrier, top mounted on door, black electro plating over stainless steel.

All carriers supplied with mounting fasteners.

KTA8 DOOR STOP (ATTACHES TO KTA8 OPEN RAIL), STAINLESS STEEL 304 WITH RUBBER BUMPERS

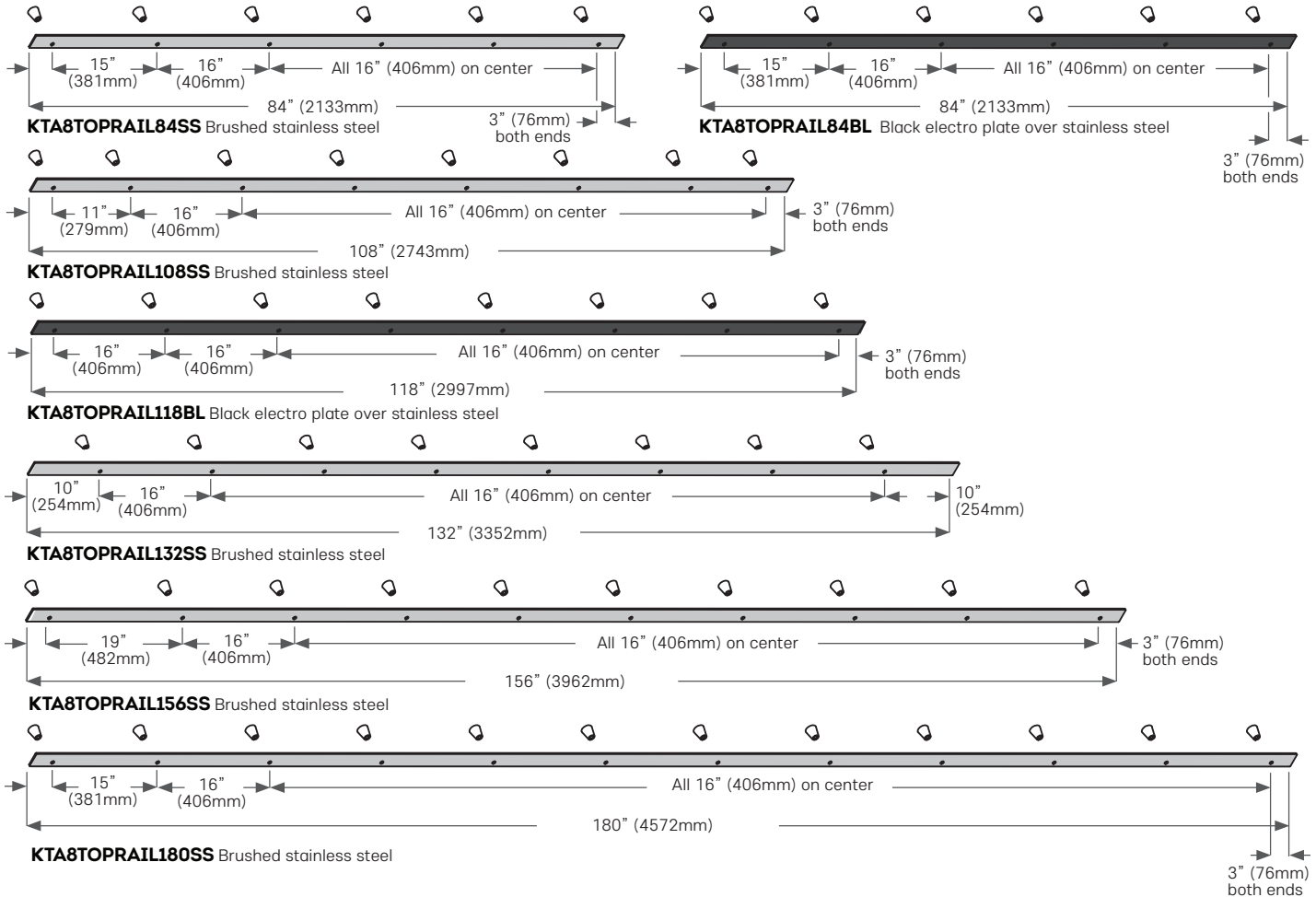


KTA8DSTOPSS Door stop, brushed stainless steel.
KTA8DSTOPBL Door stop, black electro plating over stainless steel.



KTA8 OPEN RAIL, FLAT BAR TRACK, STAINLESS STEEL 304

NOTE: KTA8 open rail sold as complete system only: track, carriers, stops & guides



NOTE: Spacers not included with KTA8 open rail, order separately.

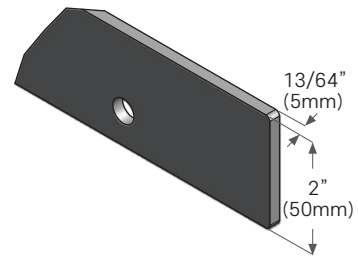
KTA8 Top rail FULL SCALE



Brushed stainless steel
Available with mounting holes (standard) or without mounting holes (special order)

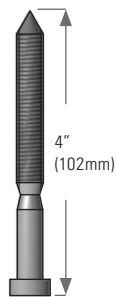
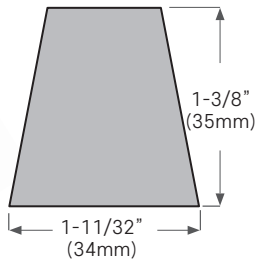


Black electro plate over stainless steel
Only available with mounting holes



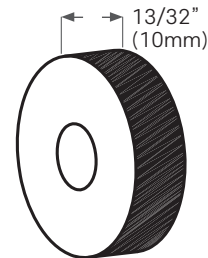
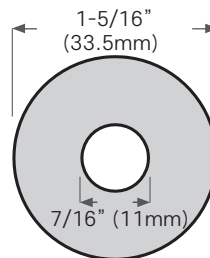
Kta8 Spacers, Stainless Steel

NOTE: All spacers supplied with mounting fasteners



KTA8SPACERSS Spacer, brushed stainless steel.

KTA8SPACERBL Spacer, black electro plating over stainless steel.

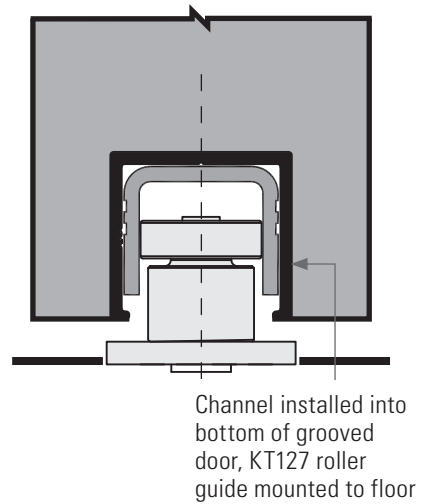
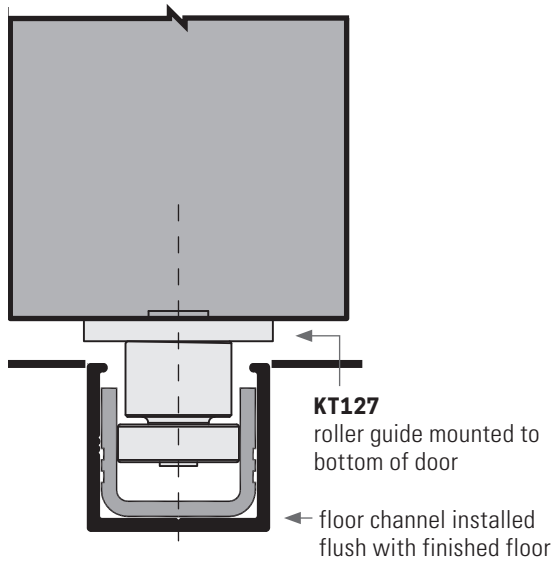


KTA8S10MMSS Spacer, brushed stainless steel, 10mm thick.

KTA8S10MMBL Spacer, black electro plating over stainless steel, 10mm thick.

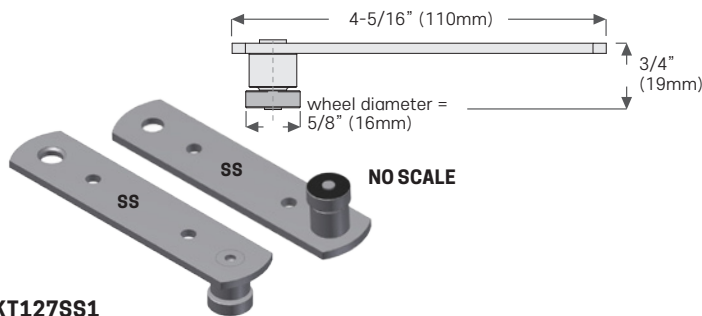
Use with KTA8SPACERSS or KTA8SPACERBL

KT8 FLOOR CHANNEL & FLOOR GUIDE

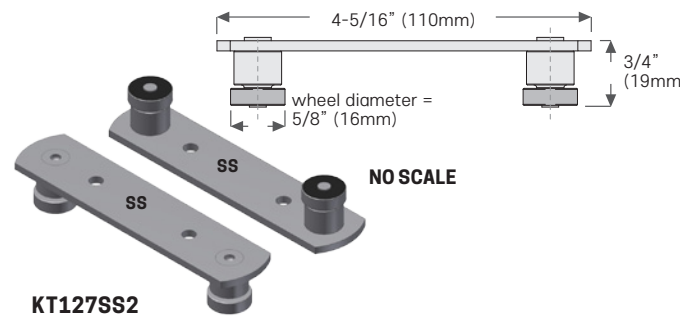


KT23DV Floor channel bronze anodized with PVC insert.

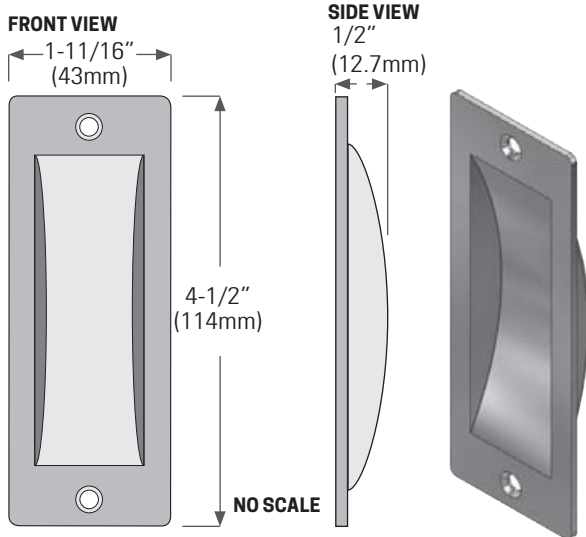
Lengths available: 36", 72", 111", 147", 183", 222", 294" (914mm, 1829mm, 2819mm, 3734mm, 4648mm, 5639mm, 7468mm)



KT127SS1
Bottom guide, single roller (stainless steel) for floor channel or bottom door channel

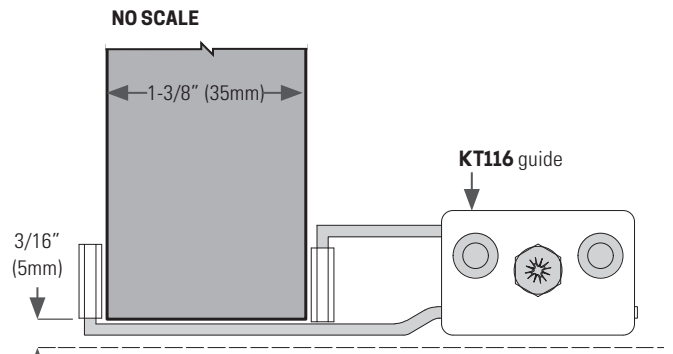


KT127SS2
Bottom guide, single roller (stainless steel) for floor channel or bottom door channel



KT174 flush pull mortise = 1-1/4" x 3-7/16"

- KT174BRZ** Flush pull, bronze
- KT174CH** polished chrome
- KT174DCH** dull chrome



KT116 Adjustable bottom guide (metal & plastic), for doors up to 1-3/4" (45mm) thick