

KrisTrack® KT10KIT INSTALLATION INSTRUCTIONS

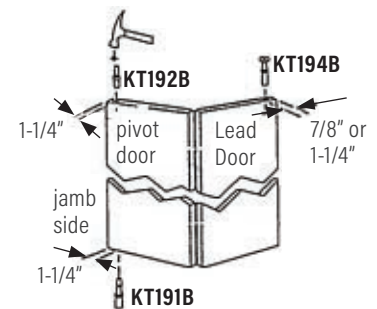
Bi-fold hardware for 3/4" (19mm) to 1-3/8" (34.9mm) up to 30 lbs (13.6kg) per two leafs

Step 1: Size doors

- Door width for 4 doors: Deduct 1-1/4" from opening width and divide by 4 to determine width of each door.
- Door width for 2 doors: Deduct 5/8" from opening width and divide by 2.

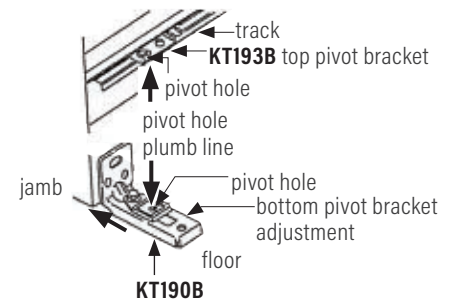
Step 2: Install pivots

- Top & bottom pivots: drill 7/16" holes 1-3/4" deep, 1-1/4" from jamb (fixed) end of door at top and bottom.
- Top guide pivot: : drill 7/16" hole, 1-3/4" deep, 7/8" from meeting or leading end of moving door.



Step 3: Install track & bottom pivot bracket

- Track: screw track to header, it must be straight and level for best operation.
- Top pivot brackets are pre-installed.
- Bottom pivot bracket: screw to jamb and floor directly below track. pivot hole must be plumb (same distance from jamb) with pivot hole in top pivot bracket.



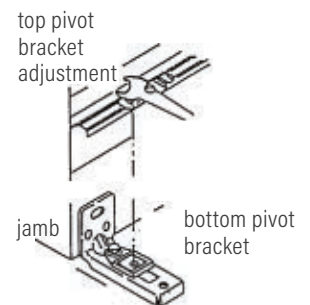
Step 4: Install doors



Stand in front of opening. Fold doors and insert top guide pivot into track and top pivot into track bracket. Raise doors and place bottom pivot into bottom bracket.

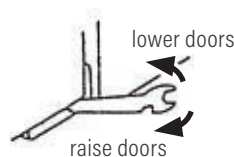
Step 5: Adjust doors

- Horizontal: use wrench and adjust pivot brackets to align doors so that two center doors are plumb, parallel and approximately 1/8" apart.
- Vertical: top edge of doors must be parallel with track. turn bottom pivot to obtain proper spacing from track.



Snuggers

Insert in center of track for 4 doors. Next to striking jamb for 2 doors.




Step 6: Install aligners

(4 doors only) Fasten back of center doors, approximately 8" from bottom of door.

Step 7: Install knob

KT10 Residential Series: Bifold Door Track & Hardware

MAXIMUM DOOR WEIGHT:	30 lbs (13.6 kg) per bifold door = 2 leafs  2 leafs=1 door
MIN & MAX DOOR THICKNESS:	3/4" (19mm) to 1-3/8" (35mm).
MAXIMUM CAPACITY:	Max leaf width 24" (609mm). Max door height 80" (3032mm)
VERTICAL ADJUSTMENT:	3/8" (9.5mm).
TRACK:	Extruded aluminum, painted white. KT193 (1 ea) top pivot bracket included in track up to and including 36" (914mm). Track lengths of 48" (1219mm) and greater include 2 brackets.
HANGER / PIVOTS:	Steel and plastic.
HARDWARE KITS:	KT10KIT for 1 door (2 leaf) application KT189 (1 ea) bifold door knob, KT190 (1 ea) bottom jamb bracket, KT191 (1 ea) door bottom pivot, KT192 (1 ea) top door pivot, KT194 (1 ea) top roller guide, KT195 (1 ea) two leaf snuggler, KT197 (1 ea) door aligner.

