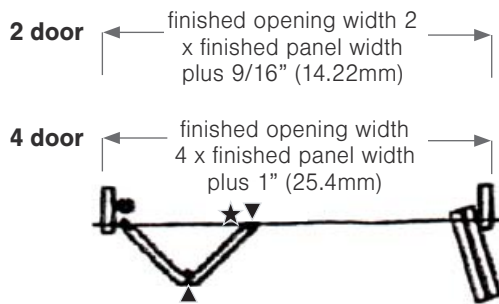


KrisTrack® KT14KIT-2L Heavy Duty Hardware

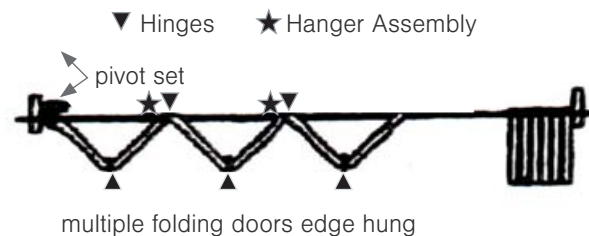
INSTALLATION INSTRUCTIONS

- » For Bifold doors weighing up to 50 lbs. (22.72 kg) each
- » For multiple fold doors weighing up to 30 lbs. (13.64 kg) each

Bi-Fold Installations



Multiple-Fold Installations



Finished opening width = Door panel total width plus 9/16" (14.22mm) for pivot pair, plus 3/8" (9.525mm) for each additional pair.

Mount hangers on every other door shown by ★ .
For convenience in hanging doors, heavy duty loose pin hinges should be used (not included).

Doorway Height

Door height plus:
Minimum of 3-1/2" (88.9mm)
NOTE: Use 3-1/2" (88.9mm) when using bottom guide channel and roller guide.

ALL DRAWINGS NO SCALE

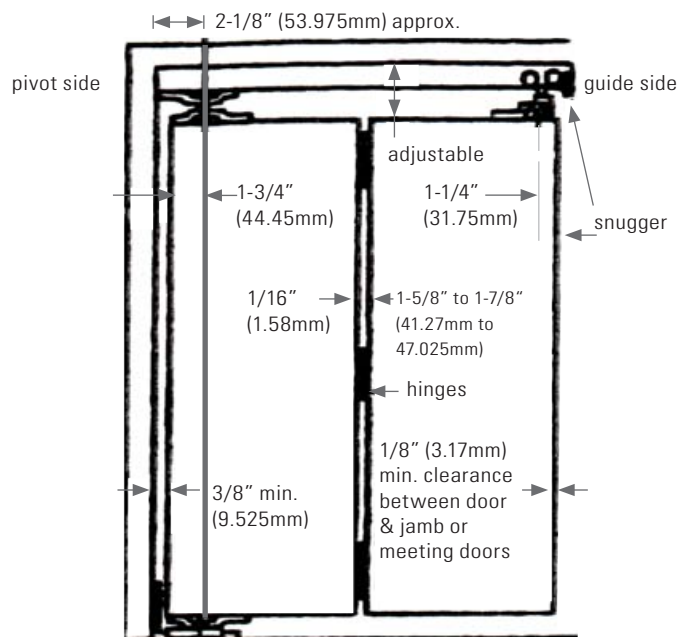


FIGURE 1.

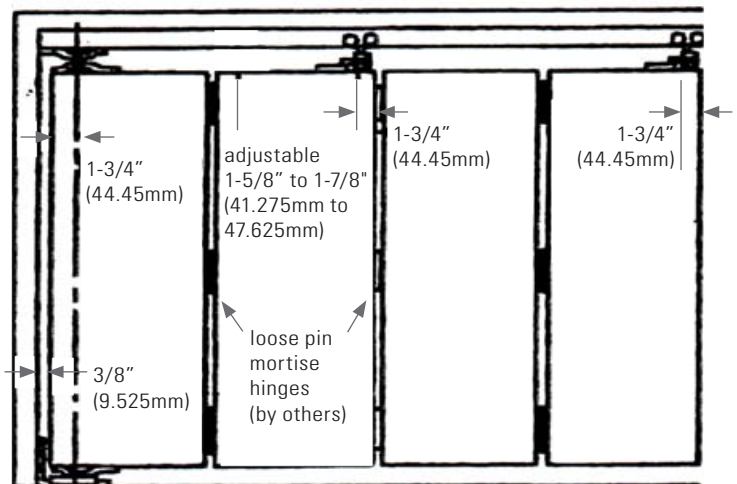
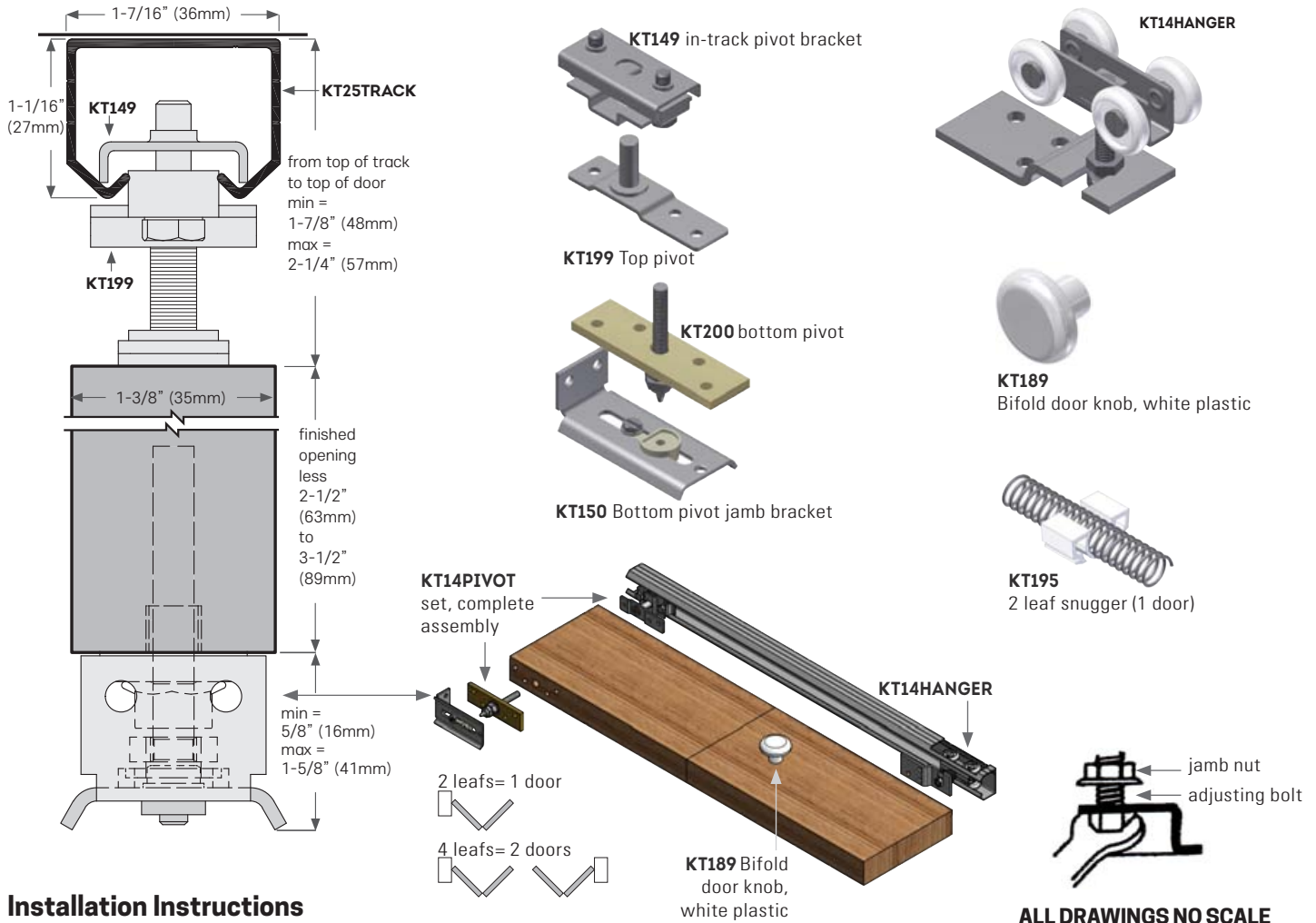


FIGURE 2.

KT14KIT-2L Heavy Duty Hardware



Installation Instructions

Track Mounting

1. Insert Hanger trolleys in track.
2. For 2 panel doorway: Mount track flush against at guide side, not pivot side. (See figure 1).
For 4 multiple panel doorway: Center the track in opening.
3. Track pivot bracket should be placed so center of the pivot slot is approximately 2-1/8" (53.975mm) from jamb as shown in figure 1.

Hardware Installation

4. Mount pivots 1-3/4" (44.45mm) from door edge as shown in Figure 3. Mount hanger door plates and hinges as shown in figures 1 & 2. Note different hanger spacings for bifold and multifold installations.
5. Install pivot door by inserting top pivot into track pivot bracket, then dropping door down so bottom pivot engages jamb bracket. Hang guide door by engaging door plate to center bolt of hanger trolley.

Adjustments

6. Move track pivot bracket and jamb bracket adjustment to establish desired jamb clearance. Tighten both securely.
7. Adjust height by turning bottom pivot adjusting bolt.
8. With doors in closed position, adjust hanger adjusting bolt so weight is evenly distributed across the top of the track for smooth and even folding action. Tighten jam nut.
9. Install snugger.

Head Office & Manufacturing Centre - Vancouver, Canada

7470 Buller Avenue, Burnaby, B.C. V5J 4S5 Canada • Ph: (604) 451-1080 • Fax: (604) 451-1140 • info@theDSgroup.com
Outside Vancouver, BC use toll free numbers Ph: 1-888-520-9009 Fax: 1-800-567-2887

Branch Offices & Distribution Centres

Toronto, Canada & Los Angeles, USA

Eclipse Architectural® Corporate Showrooms

Vancouver & Toronto, Canada • Los Angeles, California, USA

THE DS GROUP IS THE BRAND IMAGE OF A.K. DRAFT SEAL LTD.