

KrisTrack® KT15KIT-2L (may also be used for KT15PIVOT)

INSTALLATION INSTRUCTIONS

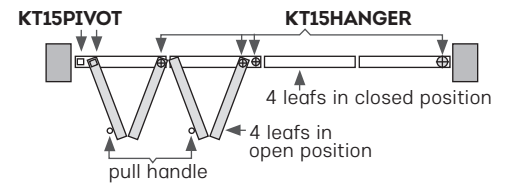
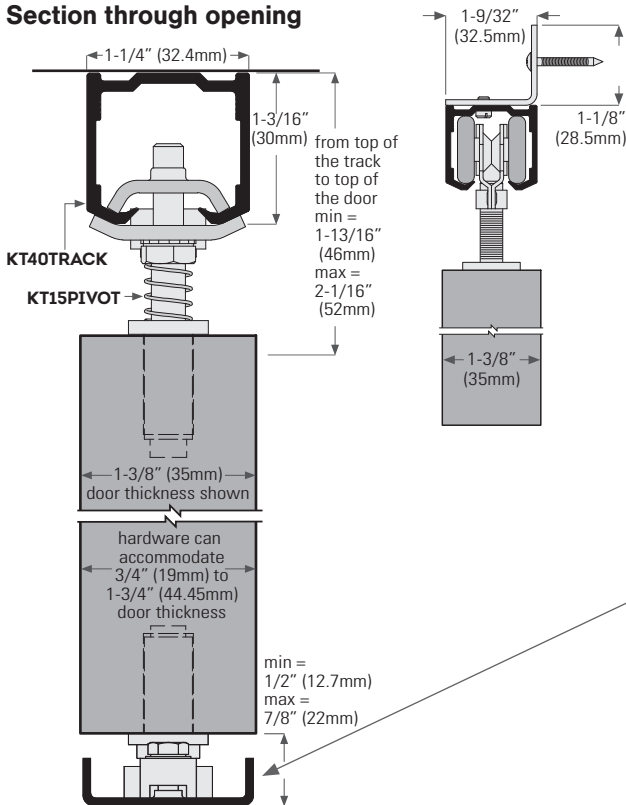
Kit Includes:



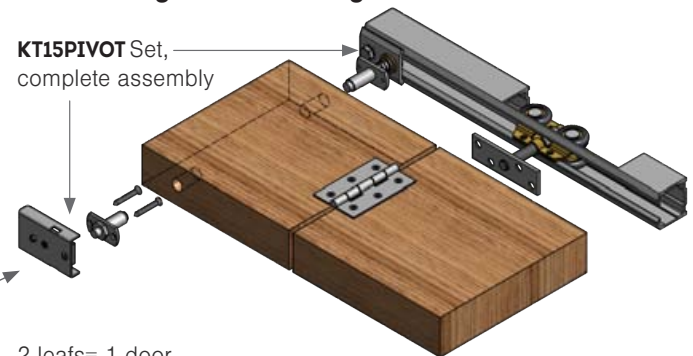
KT15KIT-2L for 2 leaf application, consists of KT15HANGER (1 ea), KT15PIVOT (1 ea) top and bottom pivots, KT189 (1 ea) knob, KT157 (1 ea) wrench, installation sheet plus all screws.

NOTE: For multiple leaves folding to one side use one KT15KIT-2L for the first 2 leaves and for each additional 2 leaves add one KT15HANGER & one KT189 bifold door knob.

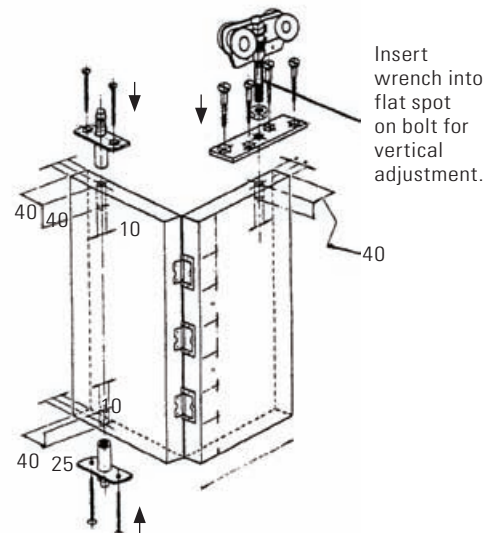
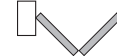
Section through opening



Plan showing 2 leaves folding to one side



2 leaves = 1 door

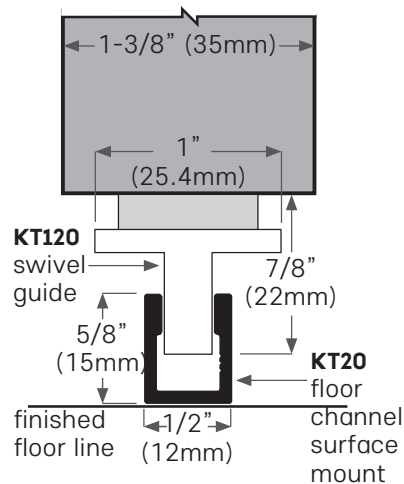
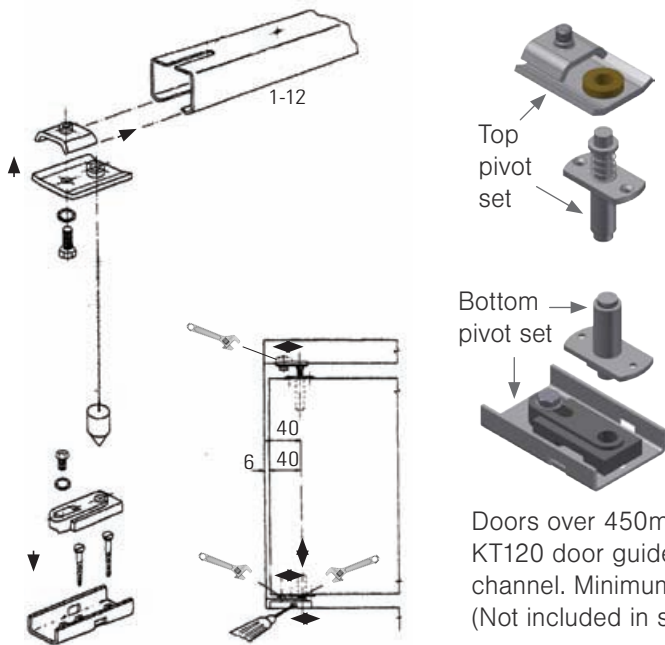
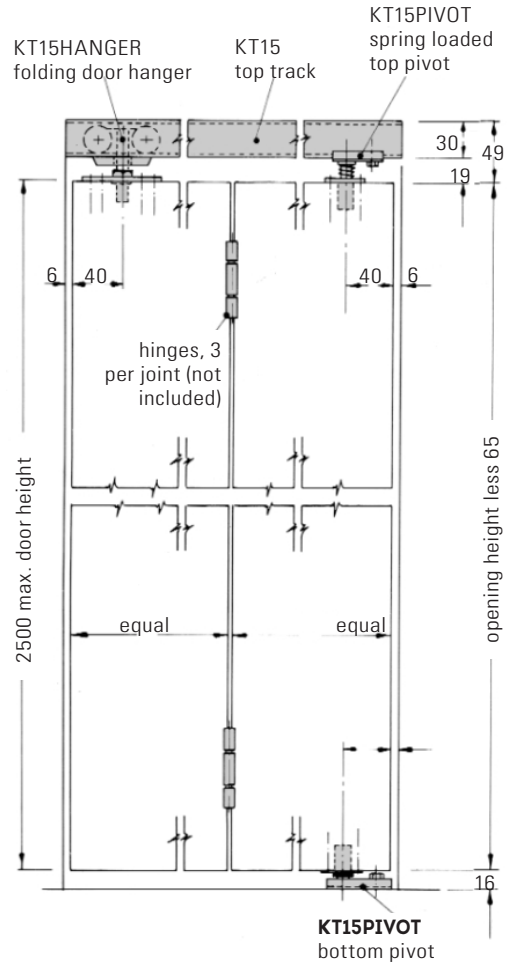
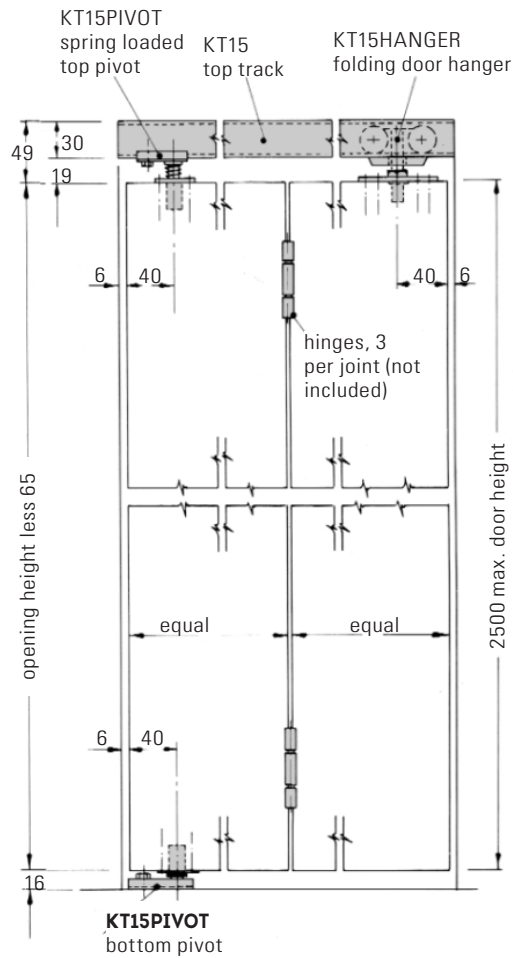


Calculate door widths as shown above. Drill 10 holes for fittings as shown, central and square in doors.

Fit top and bottom pivots into holes and screw in long wood screws. Fit hanger with door plate surface mounted.

Hinge doors together with 3 hinges per joint as shown. Doors over 2100mm high will require 4 hinges per joint.

ALL DRAWINGS NO SCALE



Doors over 450mm wide or with weight in excess of 15kg need stabilizing with KT120 door guide fitted plumb under top hanger(s) and engaging KT20 floor channel. Minimum door thickness must be 30mm. (Not included in standard kits).

ALL DRAWINGS NO SCALE

Head Office & Manufacturing Centre - Vancouver, Canada

7470 Buller Avenue, Burnaby, B.C. V5J 4S5 Canada • Ph: (604) 451-1080 • Fax: (604) 451-1140 • info@theDSgroup.com
 Outside Vancouver, BC use toll free numbers Ph: 1-888-520-9009 Fax: 1-800-567-2887

Branch Offices & Distribution Centres

Toronto, Canada & Los Angeles, USA

Eclipse Architectural® Corporate Showrooms

Vancouver & Toronto, Canada • Los Angeles, California, USA

THE DS GROUP IS THE BRAND IMAGE OF A.K. DRAFT SEAL LTD.