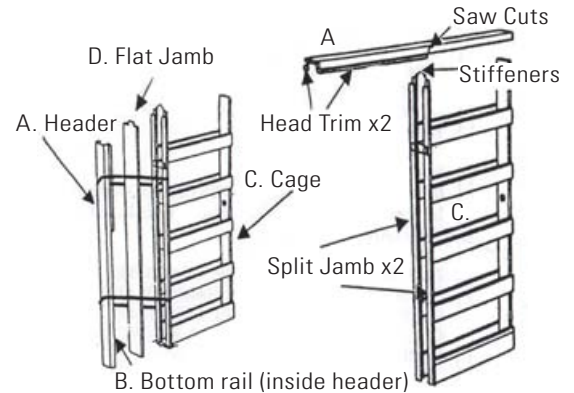


KrisTrack® KT25PDFKIT Residential Series: Pocket Door Frame Track & Hardware

INSTALLATION INSTRUCTIONS

STEP 1. Begin by fastening header (A) to top of cage (C). Slide stiffeners into saw cuts of header ensuring track is facing down towards cage. Fasten through back of each split jamb into head trim and through header to back top of cage.

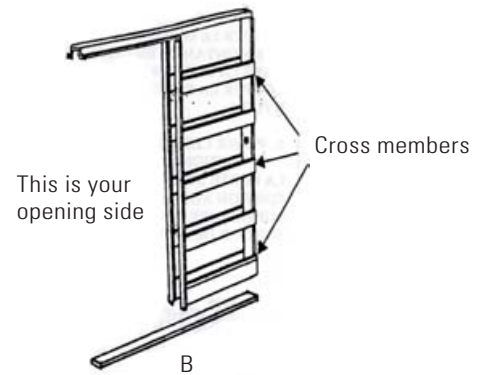


Pocket frame parts:

A. Header **B.** Bottom Rail **C.** Cage **D.** Flat Jamb

STEP 2. Install bottom rail (B) into cage by fastening through sides of bottom cross member and back of cage.

NOTE: The bottom rail runs the width of the pocket frame for ease of installation only. The portion installed inside the cage will remain in place and later be used to fasten the frame to the subfloor. The remaining piece in the opening will later be cut out and removed.

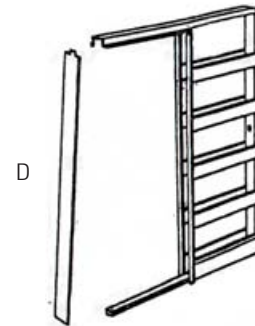


STEP 3. Fasten the flat jamb (D) to the outer edge of the header and the bottom rail (see diagram).

NOTE: The flat jamb does not fit into the header or sit on top of the bottom rail.

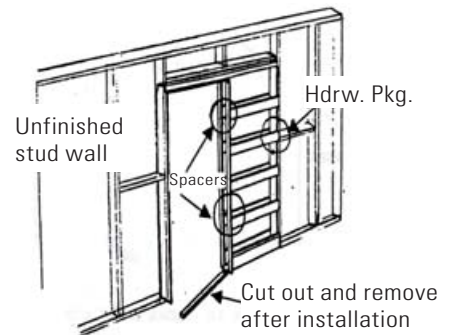
Once all four pieces are securely fastened together, the frame is ready for installation in the rough opening:

DOOR SIZE	2' - 0"	2' - 4"	2' - 6"	2' - 8"	3' - 0"
OPENING HEIGHT	7' - 0"	7' - 0"	7' - 0"	7' - 0"	7' - 0"
OPENING WIDTH	4' - 2"	4' - 10"	5' - 2"	5' - 6"	6' - 2"



STEP 4. Fit pocket frame into rough opening. Square, level and plumb frame both ways and secure. The bottom rail inside the cage can now be fastened down to the subfloor with the remaining piece being cut off. We recommend replacing stock track screws with longer screws which is attached to the header. Once frame is secured in place, remove all spacers from frame.

NOTE: The wood spacers (see diagram) are used for shipping and installation only. Remove all spacers including wood pieces used to store hardware on the back of the frame.



ALL DRAWINGS NO SCALE

KT25PDFKIT Residential Series: Pocket Door Frame Track & Hardware

Follow after frame installation is complete. **NOTE:** To help prevent warpage, seal all edges of the door with paint or sealing stain.

- 1. Install hangers:** Place hangers (wheels first) into the track through space between the track and the flat jamb.
- 2. Install hanger brackets:** Mount the hanger brackets to the top of the door (with screws provided), 2-3/4" from edge of door to center of bracket.
- 3. Install and adjust doors:** Attach bracket to hanger by lifting door and inserting the hanger bracket between the upper spring and lower adjusting nut of the hangers. Align doors by turning adjusting bolt with wrench.
- 4. Install floor guide:** Nail the guide (KT107 for 1-3/8" or KT110 for 1-3/4" thick door) to the bottom of the split jambs, centering the door in the pocket.
- 5. Install finishing mouldings / stops (optional): 5 ea (1-1/4" x 84"):** After door installation, attach finishing stops to split jamb, flat jamb and header to cover gaps around the doorway.

ARCHITECTURAL SPECS

Maximum door weight:

100 lbs. (45kg) = 2 hangers

Min & max door thickness:

Ceiling mount: 1-3/8" (35mm) to 1-3/4" (44.45mm).

Wall mount: 1-3/8" (35mm) only.

Maximum capacity: Width and height of the door may vary beyond standard sizes provided the weight of the door does not exceed the maximum weight listed above.

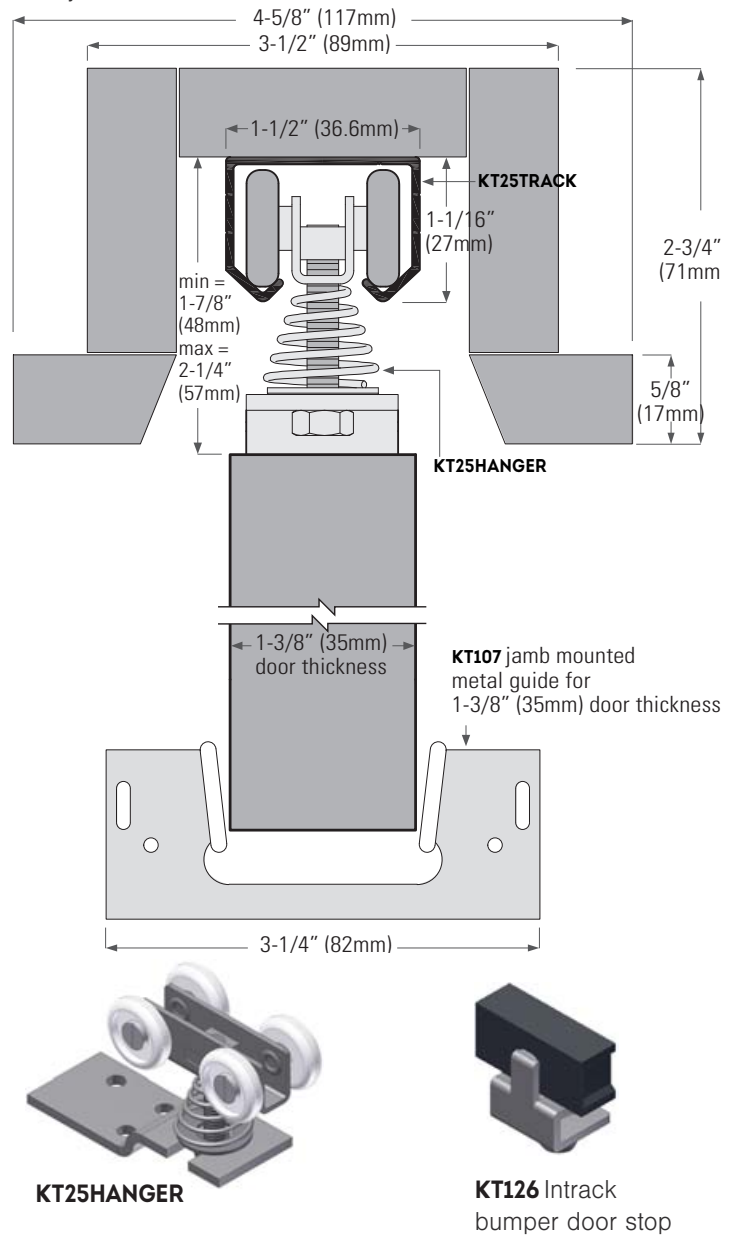
Vertical adjustment: 3/8" (9.5mm)

Track: Extruded aluminum, mill finish. 9 stock lengths available, refer to price list.

Hanger Steel carrier, plated, 4 plastic wheels, no ball bearing

Options: KT146 for wall mount application

Hardware kits: KT25KIT for 1 door application, consists of (poly-bagged) KT25HANGER (2 ea) hangers, KT122 (1 ea) nail on bumper stop, KT155 (1 ea) wrench, installation sheet plus all screws. For biparting pocket doors two KT25KIT required and two KT126-intrack door stops required



ALL DRAWINGS NO SCALE

Head Office & Manufacturing Centre - Vancouver, Canada

7470 Buller Avenue, Burnaby, B.C. V5J 4S5 Canada • Ph: (604) 451-1080 • Fax: (604) 451-1140 • info@theDSgroup.com
 Outside Vancouver, BC use toll free numbers Ph: 1-888-520-9009 Fax: 1-800-567-2887

THE DS GROUP IS THE BRAND IMAGE OF A.K. DRAFT SEAL LTD.