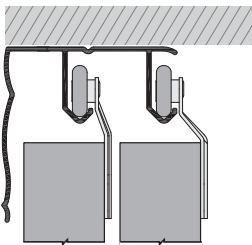


## KrisTrack® KT32 Bi-pass door track & hardware

### 1 Size Doors:

Trim doors 2-1/4" (57mm) less than opening height for 1/2" (13mm) floor clearance. Increase if more floor clearance is required.



1-3/8" (35mm) door thickness

#### Fascia Track KT32 Aluminum Track

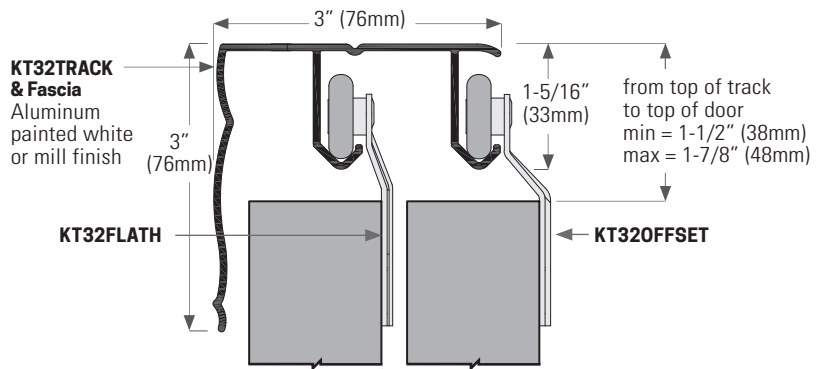
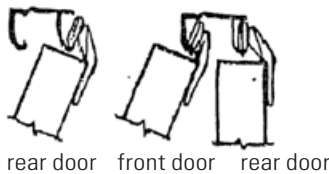
- MAXIMUM DOOR WEIGHT:** 60 lbs (27 kg) = 1 hanger
- MIN & MAX DOOR THICKNESS:** 3/4" (19mm) to 1-3/8" (35mm)
- VERTICAL ADJUSTMENT:** 3/8" (9.5mm)

### 2 Install Track:

Fasten track to header or ceiling backing with # 8 screws.

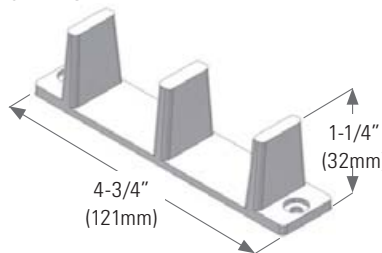
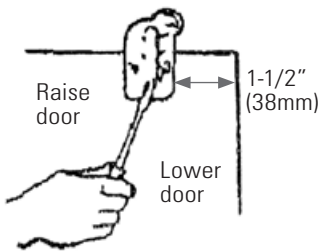
### 3 Attach Hangers

Fasten to back of doors, 1-1/2" (38mm) in from edge as shown. Locate screws at top of slots for maximum adjustment.



### 4 Hang Doors & Adjust:

Install rear door first. Tilt bottom of door out, lift and engage wheels in track. To adjust, loosen screws slightly and raise or lower by inserting screwdriver into adjusting slot.



KT106 Floor guide (plastic) for 1-3/8" (35mm) door

#### Install Floor Guide

Slide both doors to the same side of opening. Assemble centre guide on base as shown and plumb face of front door in opening.

**ALL DRAWINGS NO SCALE**

Head Office & Manufacturing Centre - Vancouver, Canada 7470 Buller Avenue, Burnaby, B.C. V5J 4S5 Canada

Ph: (604) 451-1080 • Fax: (604) 451-1140 • info@theDSgroup.com • Toll free numbers Ph: 1-888-520-9009 Fax: 1-800-567-2887

Branch Offices & Distribution Centres

Eclipse Architectural® Corporate Showrooms

Toronto, Canada & Los Angeles, USA

Vancouver & Toronto, Canada • Los Angeles, California, USA

THE DS GROUP IS THE BRAND IMAGE OF A.K. DRAFT SEAL LTD.