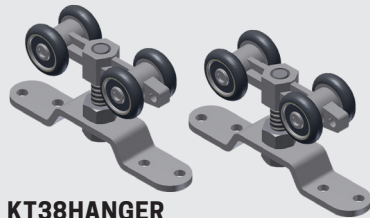


Kristrack® KT38PF RESIDENTIAL SERIES: Pocket Door Application - KT38KIT

PARTS IN THE BAG



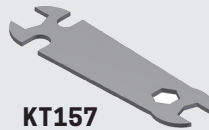
KT38HANGER
2 Hangers



KT122
1 Cushion bumper stop, nail on

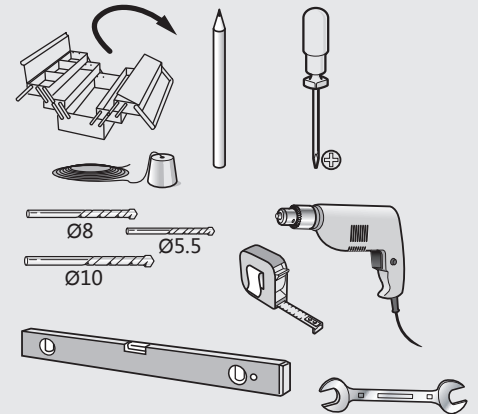


KT107
1 Jamb mounted guide



KT157
1 Wrench

RECOMMENDED TOOLS

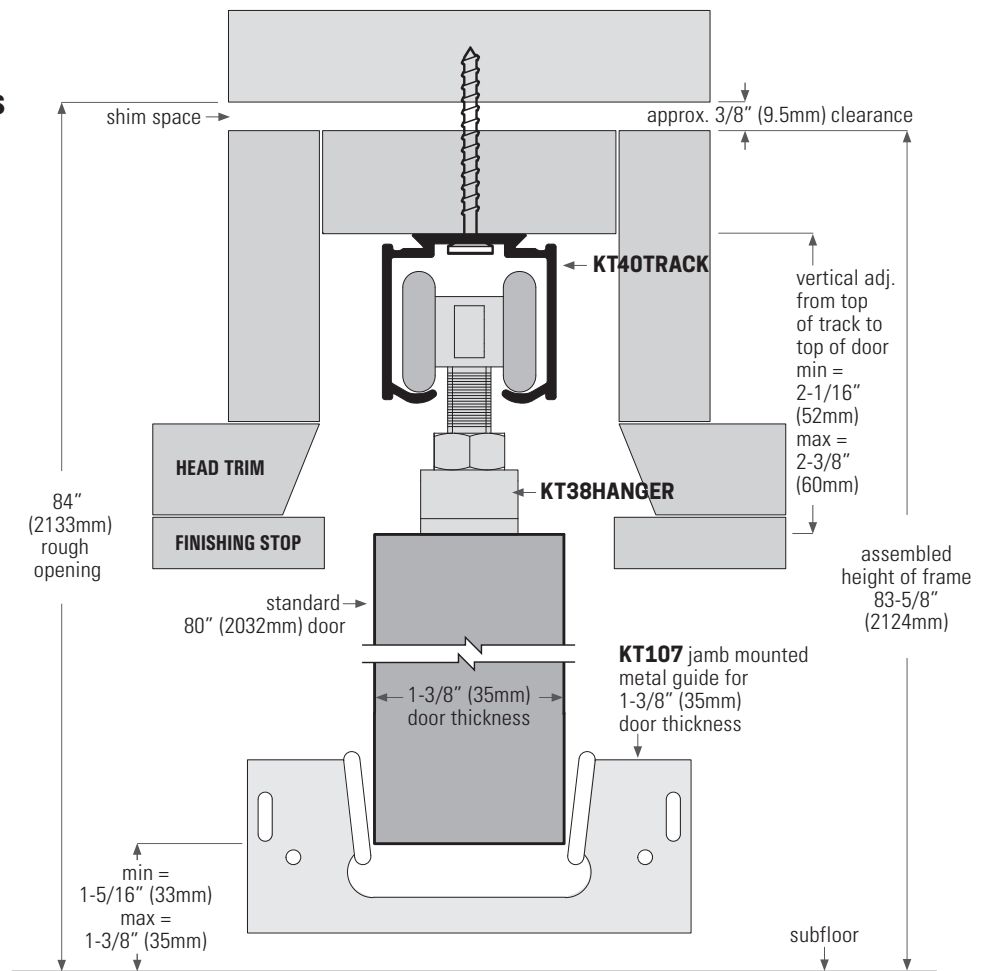


1 Replace All Track Screws

You must replace all track screws with #10 x 1-1/2" (38mm) truss head screw after frame is installed (before drywalling).

NOTE: Floor clearance is for a standard 80" (2023mm) door. Trim door accordingly for clearance if required.

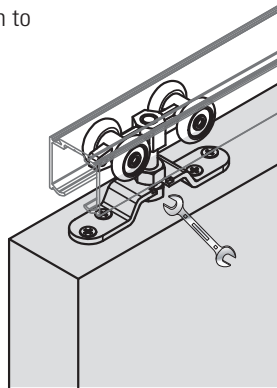
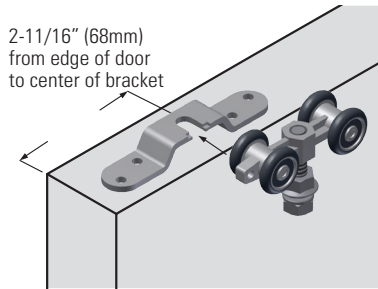
Use KT38KIT for pocket frame application



2 Install & Adjust Doors

Attach bracket to hanger by lifting door and inserting adjusting bolt into slot until bolt head becomes seated. Align doors by turning adjusting bolt with wrench.

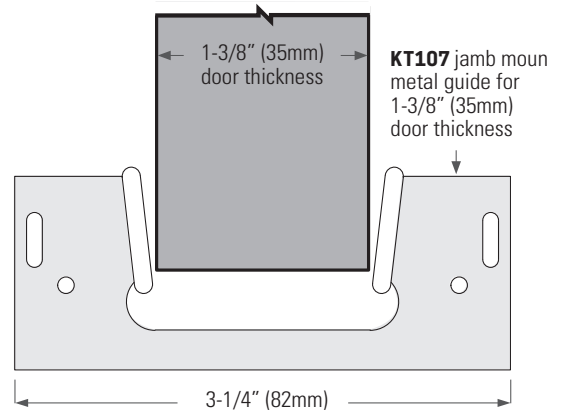
After final adjustment, tighten lock nut down to bracket as shown.



3 Install Floor Guide

Nail steel/nylon guide KT107 to split jamb as shown, centering door in pocket.

NOTE: for 1-3/4" doors, cut out centre section of steel floor guide.



KT38 RESIDENTIAL SERIES: Ceiling or Wall Mount Applications

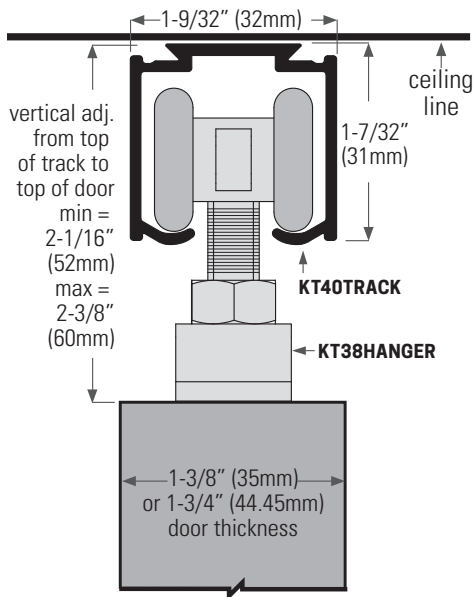
INSTALLATION INSTRUCTIONS

1 Install brackets & hangers

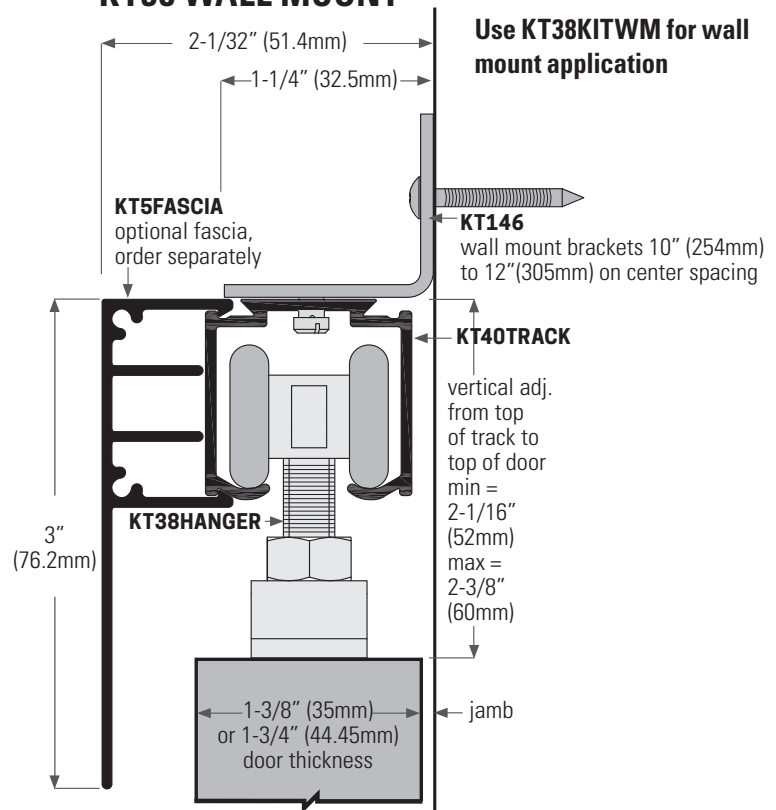
As shown on step 2 above.

Use KT38KIT for ceiling mount application

KT38 CEILING MOUNT



KT38 WALL MOUNT



Head Office & Manufacturing Centre - Vancouver, Canada

7470 Buller Avenue, Burnaby, B.C. V5J 4S5 Canada • info@theDSgroup.com

Ph: (604) 451-1080 • Fax: (604) 451-1140 • Outside Vancouver, BC use toll free numbers Ph: 1-888-520-9009 Fax: 1-800-567-2887

Branch Offices & Manufacturing Centres

Toronto, Canada & Los Angeles, USA

Eclipse Architectural® Corporate Showrooms

Vancouver & Toronto, Canada • Los Angeles, California, USA

The DS Group is the brand image of A.K. Draft Seal Ltd.