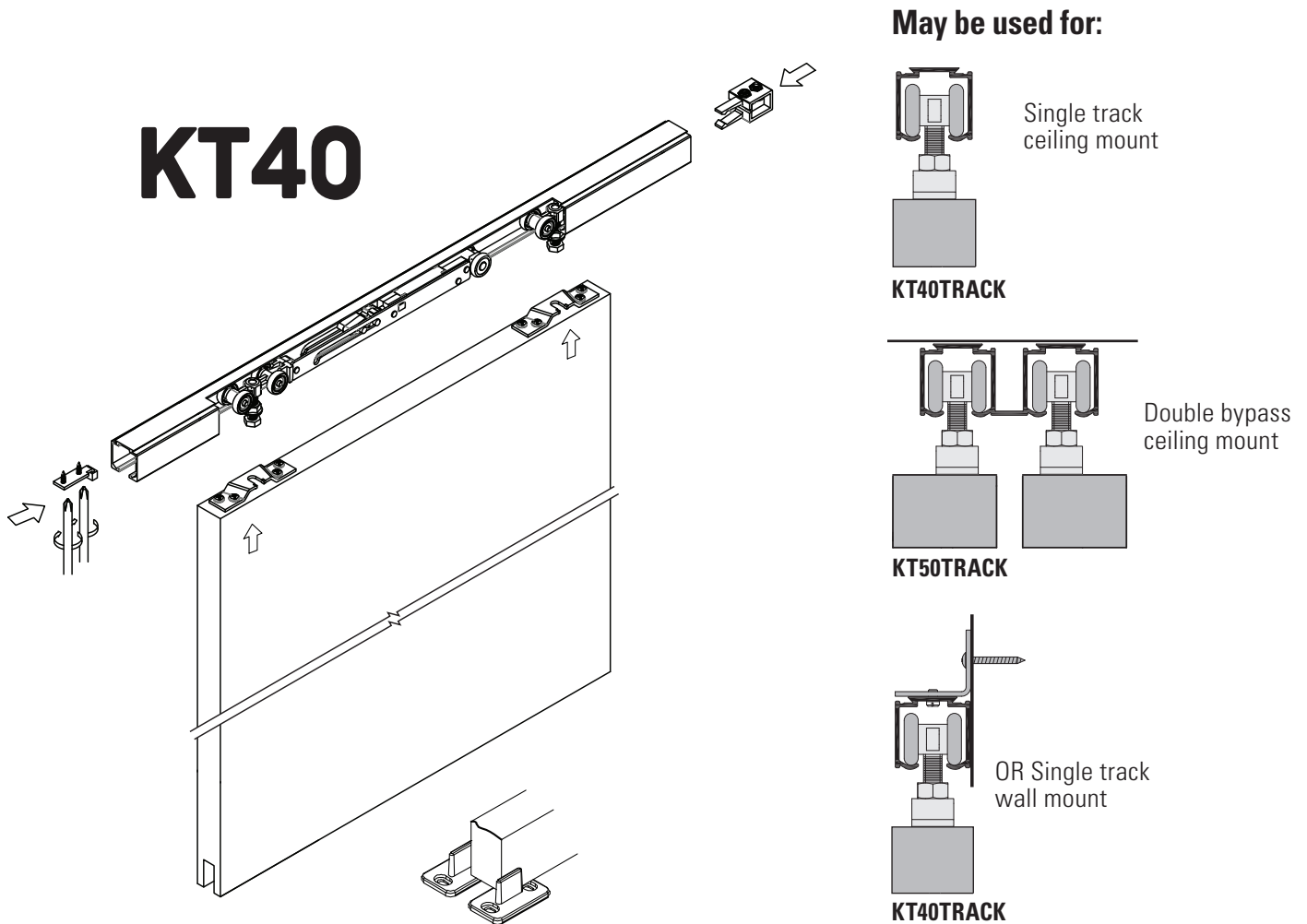


KrisTrack® KT40SOFTCLOSE INSTALLATION INSTRUCTIONS FOR: KT40 & KT50 TRACKS

- Soft close one side: for ceiling & wall mount, single track or ceiling mount double bypass track
- Soft close both sides: for ceiling & wall mount, single track or ceiling mount double bypass track
- Soft close one side: for pocket door application



Head Office & Manufacturing Centre - Vancouver, Canada

7470 Buller Avenue, Burnaby, B.C. V5J 4S5 Canada • info@theDSgroup.com

Ph: (604) 451-1080 • Fax: (604) 451-1140 • Outside Vancouver, BC use toll free numbers Ph: 1-888-520-9009 Fax: 1-800-567-2887

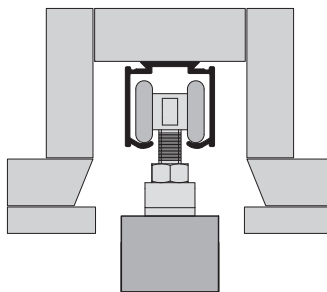
Branch Offices & Manufacturing Centres | Eclipse Architectural® Corporate Showrooms

Toronto, Canada & Los Angeles, USA

Vancouver & Toronto, Canada • Los Angeles, California, USA

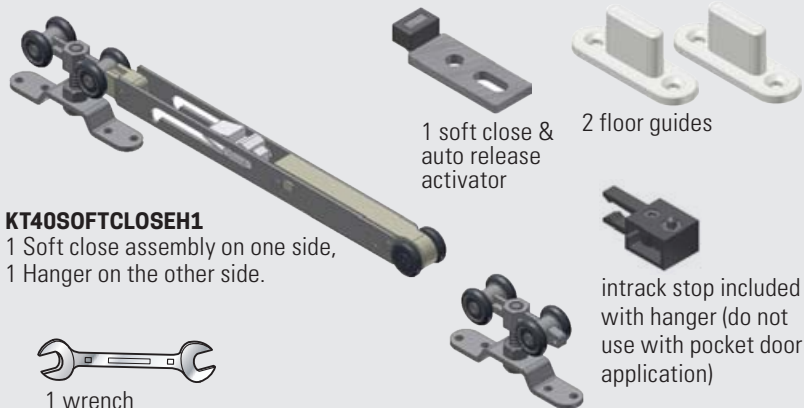
INSTALLATION INSTRUCTIONS FOR SOFT CLOSE ONE SIDE WITH POCKET DOOR FRAME

MAY BE USED FOR THIS APPLICATION ONLY

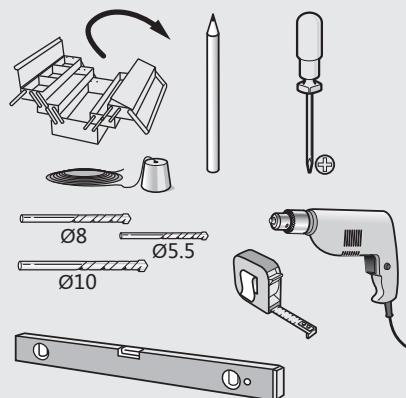


PLEASE NOTE:
Warranty void if product is not installed as directed in these instructions.

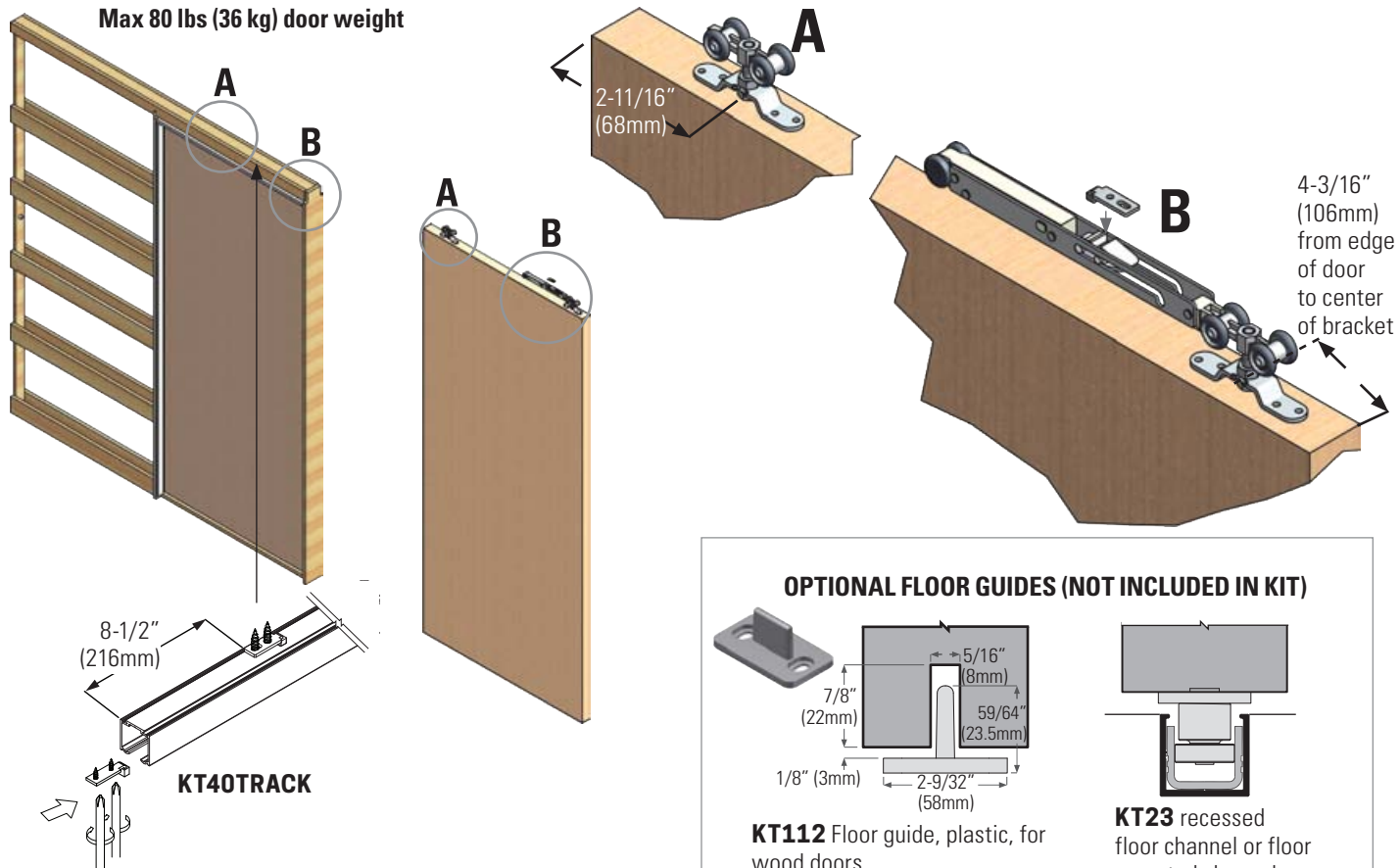
PARTS IN THE BOX FOR SOFT CLOSE ONE SIDE



RECOMMENDED TOOLS



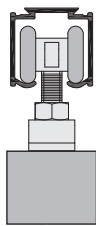
Min door width 24" (610mm)
Max 80 lbs (36 kg) door weight



INSTALLATION INSTRUCTIONS FOR SOFT CLOSE ONE SIDE

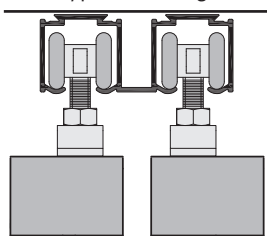
MAY BE USED FOR THESE APPLICATIONS ONLY:

Single track ceiling mount



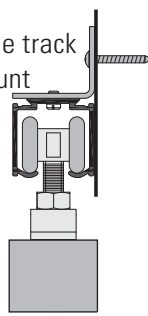
KT40TRACK

Double bypass ceiling mount



KT50TRACK

OR Single track wall mount



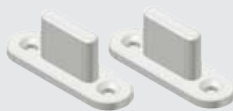
KT40TRACK

PLEASE NOTE:
Warranty void if product is not installed as directed in these instructions.

PARTS IN THE BOX FOR SOFT CLOSE ONE SIDE



1 soft close & auto release activator



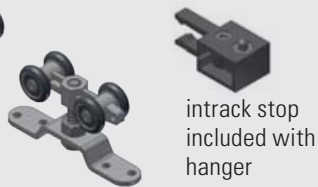
2 floor guides

KT40SOFTCLOSEH1

1 Soft close assembly on one side,
1 Hanger on the other side.

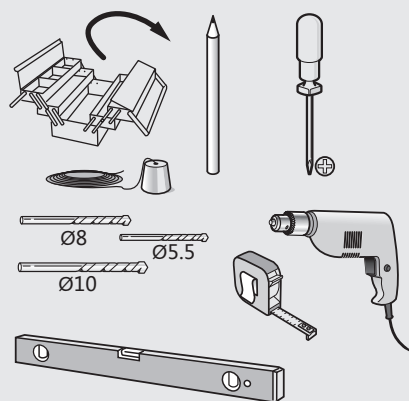


1 wrench

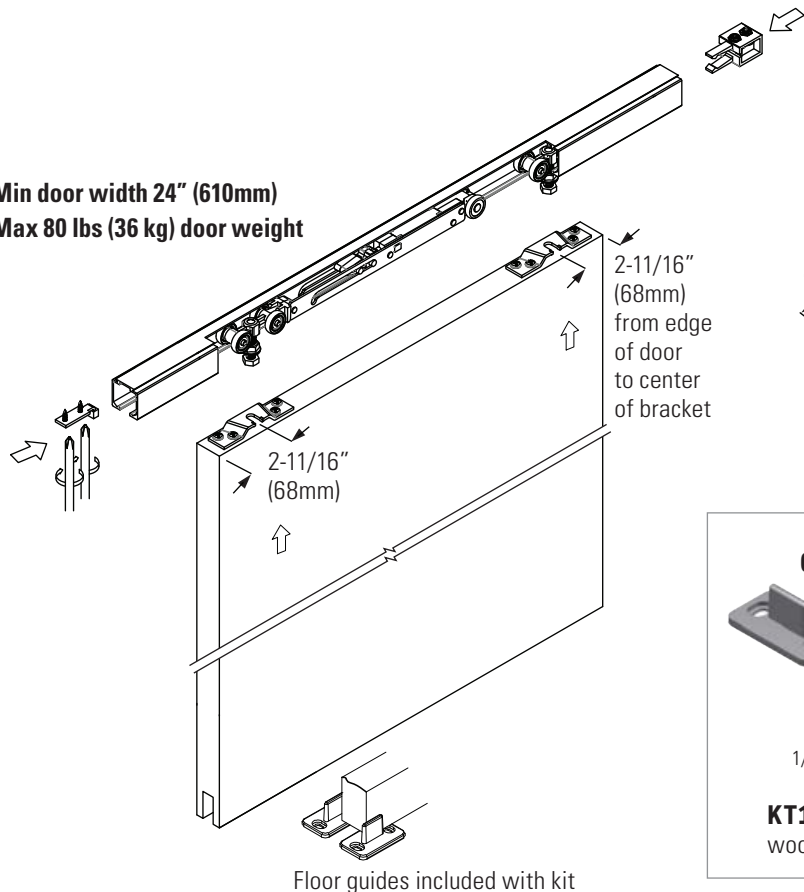


in-track stop included with hanger

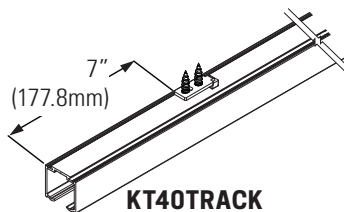
RECOMMENDED TOOLS



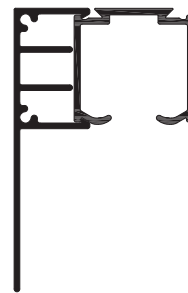
Min door width 24" (610mm)
Max 80 lbs (36 kg) door weight



Floor guides included with kit

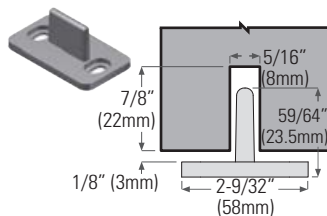


KT40TRACK

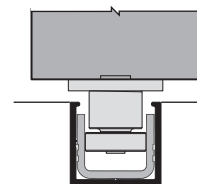


KT5FASCIA
Optional

OPTIONAL FLOOR GUIDES (NOT INCLUDED IN KIT)



KT112 Floor guide, plastic, for wood doors

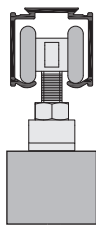


KT23 recessed floor channel or floor mounted channel

INSTALLATION INSTRUCTIONS FOR SOFT CLOSE BOTH SIDES

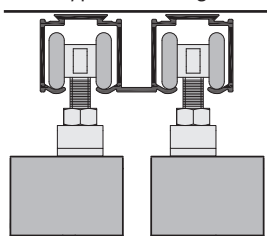
MAY BE USED FOR THESE APPLICATIONS ONLY:

Single track ceiling mount



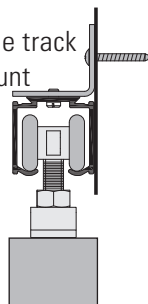
KT40TRACK

Double bypass ceiling mount



KT50TRACK

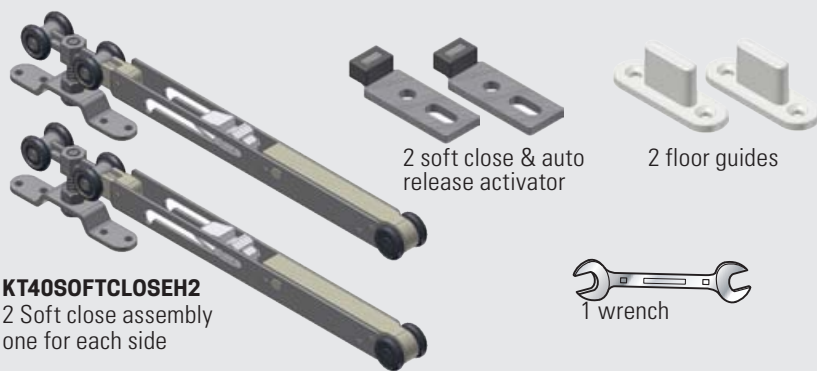
OR Single track wall mount



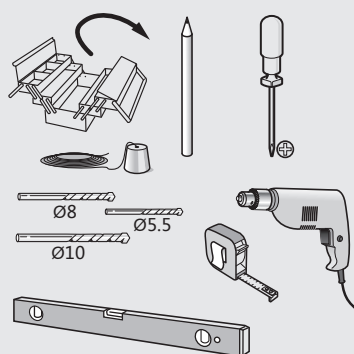
KT40TRACK

PLEASE NOTE:
Warranty void if product is not installed as directed in these instructions.

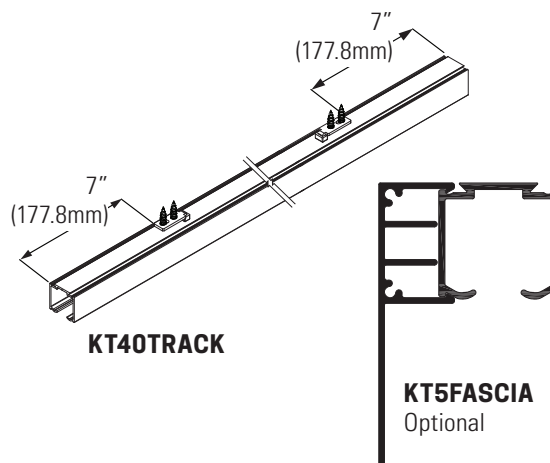
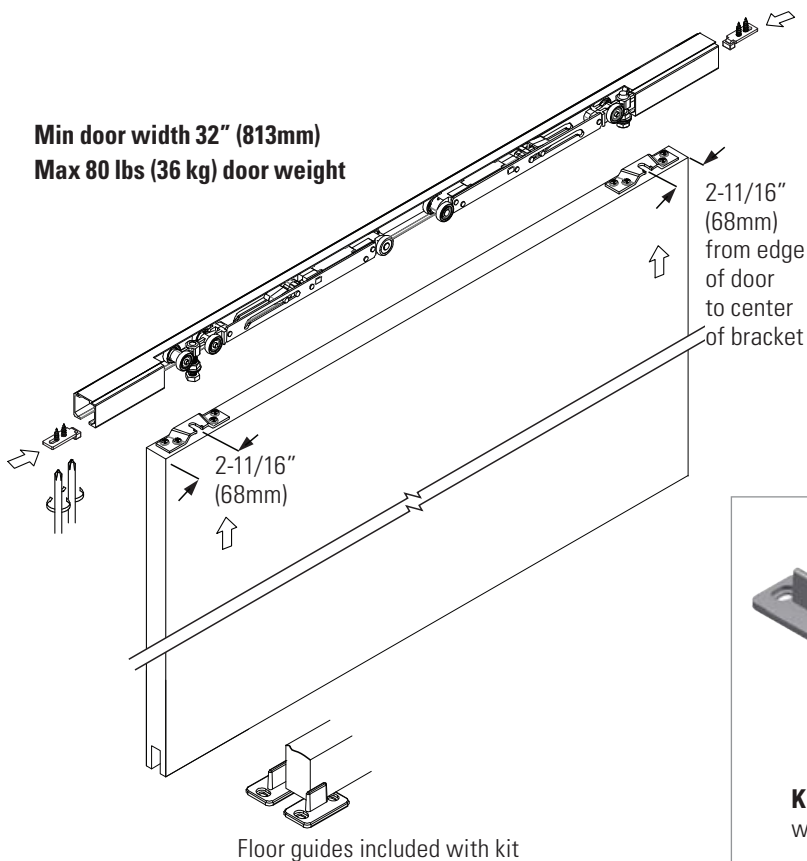
PARTS IN THE BOX FOR SOFT CLOSE BOTH SIDES



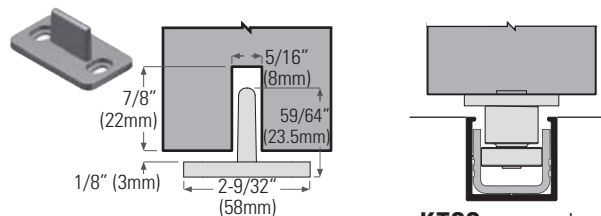
RECOMMENDED TOOLS



Min door width 32" (813mm)
Max 80 lbs (36 kg) door weight



OPTIONAL FLOOR GUIDES (NOT INCLUDED IN KIT)



KT112 Floor guide, plastic, for wood doors

KT23 recessed floor channel or floor mounted channel