

KrisTrack®

KT55KIT: MAX DOOR WEIGHT: 100 lbs (45kg) = 2 hangers

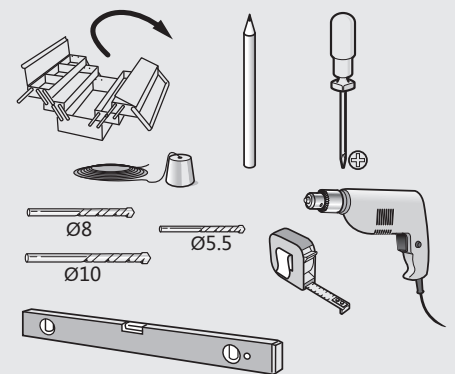
KT58KIT: MAX DOOR WEIGHT: 132 lbs (60kg) = 2 hangers

PARTS IN THE KIT



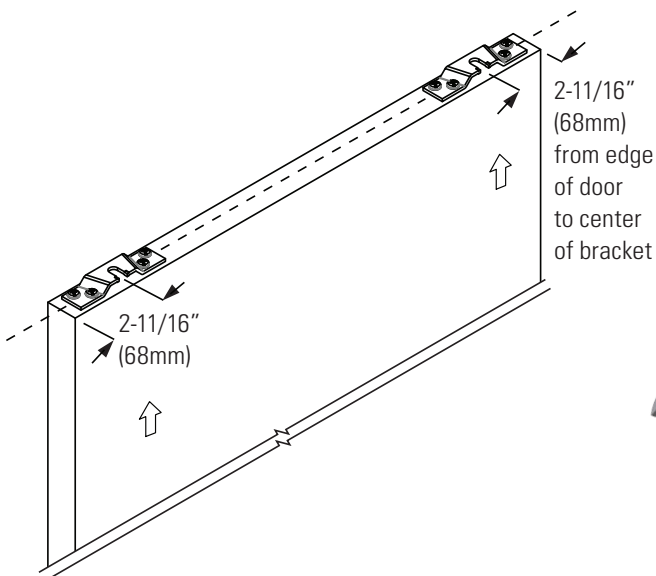
Plus screws

RECOMMENDED TOOLS



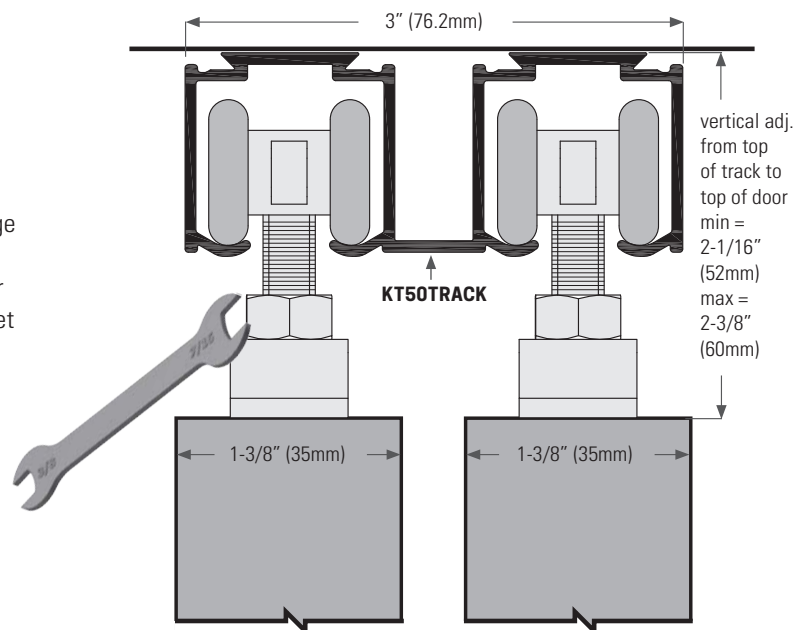
1 HANG DOOR

Mount center line of door hanger plates on center line of door as illustrated below. Insert hangers into track before installation. Hang door.

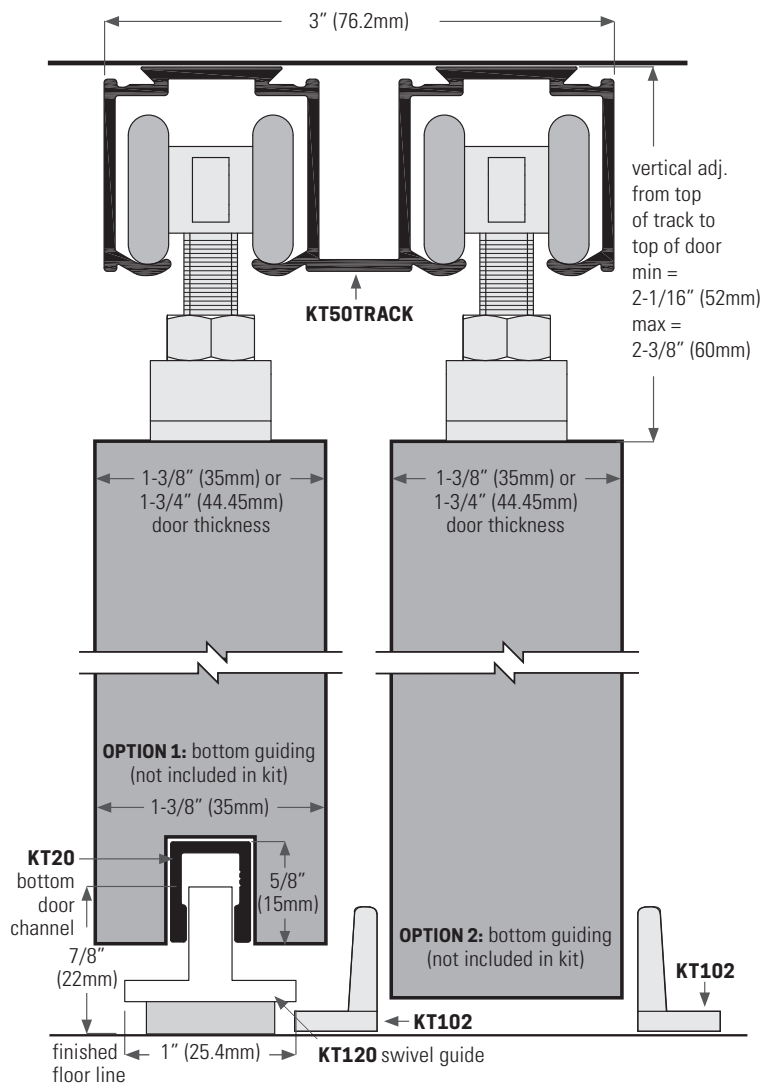
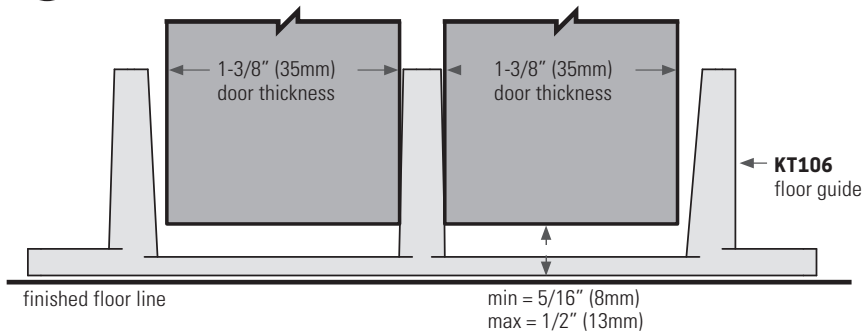


2 PLUMB DOOR

Turn adjusting bolt to raise or lower door and align door squarely with the jamb.

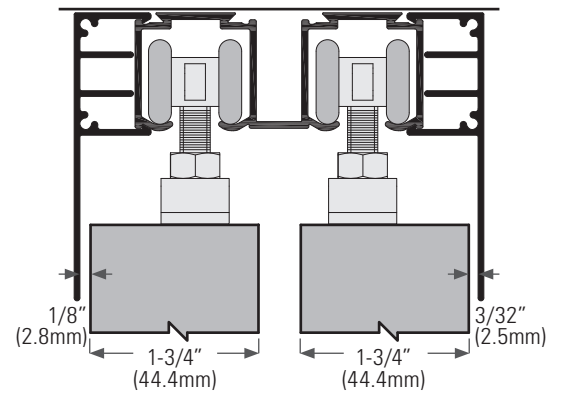


3 INSTALL FLOOR GUIDE

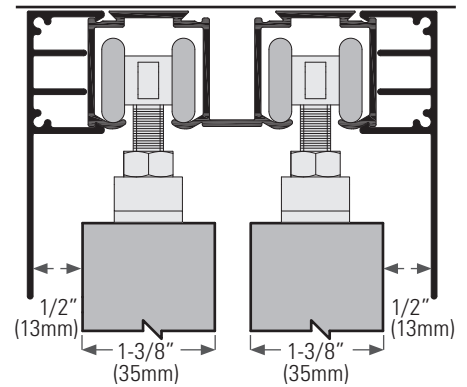


FASCIA OPTIONS

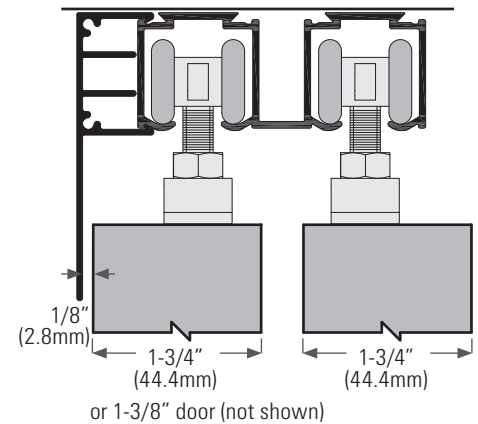
2 fascias for room divider



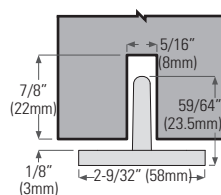
2 fascias for room divider



1 fascia for closet application



OPTIONAL FLOOR GUIDE (NOT INCLUDED IN KIT)



KT112
Floor guide, plastic, for wood doors - 2 ea for bypass application

Head Office & Manufacturing Centre - Vancouver, Canada

7470 Buller Avenue, Burnaby, B.C. V5J 4S5 Canada • info@theDSgroup.com

Ph: (604) 451-1080 • Fax: (604) 451-1140 • Outside Vancouver, BC use toll free numbers Ph: 1-888-520-9009 Fax: 1-800-567-2887

Branch Offices & Manufacturing Centres

Toronto, Canada & Los Angeles, USA

Eclipse Architectural® Corporate Showrooms

Vancouver & Toronto, Canada • Los Angeles, California, USA

THE DS GROUP IS THE BRAND IMAGE OF A.K. DRAFT SEAL LTD.