

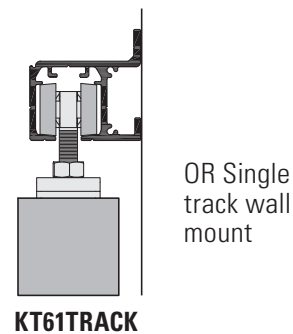
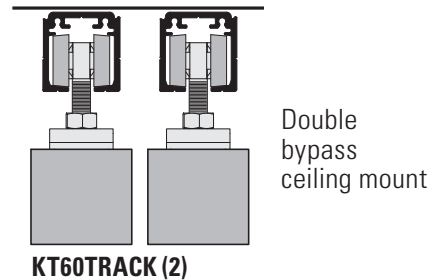
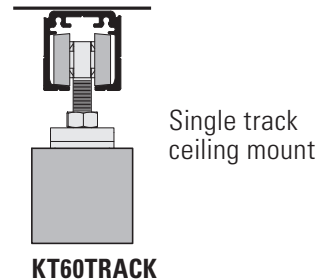
## **KrisTrack**<sup>®</sup> KT60SOFTCLOSE INSTALLATION INSTRUCTIONS FOR: KT60 & KT61 TRACKS

- Soft close one side: for ceiling & wall mount, single track or ceiling mount double bypass track
- Soft close both sides: for ceiling & wall mount, single track or ceiling mount double bypass track
- Soft close one side: for pocket door application

# KT60



### May be used for:



### Head Office & Manufacturing Centre - Vancouver, Canada

7470 Buller Avenue, Burnaby, B.C. V5J 4S5 Canada • [info@theDSgroup.com](mailto:info@theDSgroup.com)

Ph: (604) 451-1080 • Fax: (604) 451-1140 • Outside Vancouver, BC use toll free numbers Ph: 1-888-520-9009 Fax: 1-800-567-2887

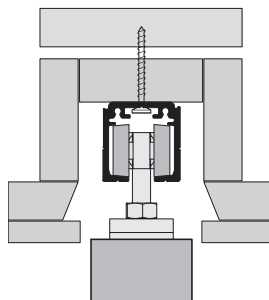
### Branch Offices & Manufacturing Centres | Eclipse Architectural<sup>®</sup> Corporate Showrooms

Toronto, Canada & Los Angeles, USA

Vancouver & Toronto, Canada • Los Angeles, California, USA

# INSTALLATION INSTRUCTIONS FOR SOFT CLOSE ONE SIDE WITH POCKET DOOR FRAME

**MAY BE USED FOR THIS APPLICATION ONLY**



**PLEASE NOTE:**  
Warranty void if product is not installed as directed in these instructions.

## PARTS IN THE BOX FOR SOFT CLOSE ONE SIDE



### KT60SOFTCLOSEH1

Soft close assembly on one side. Hanger on the other side.



**KT60STOP**  
1 intrack stop



1 soft close & auto release activator

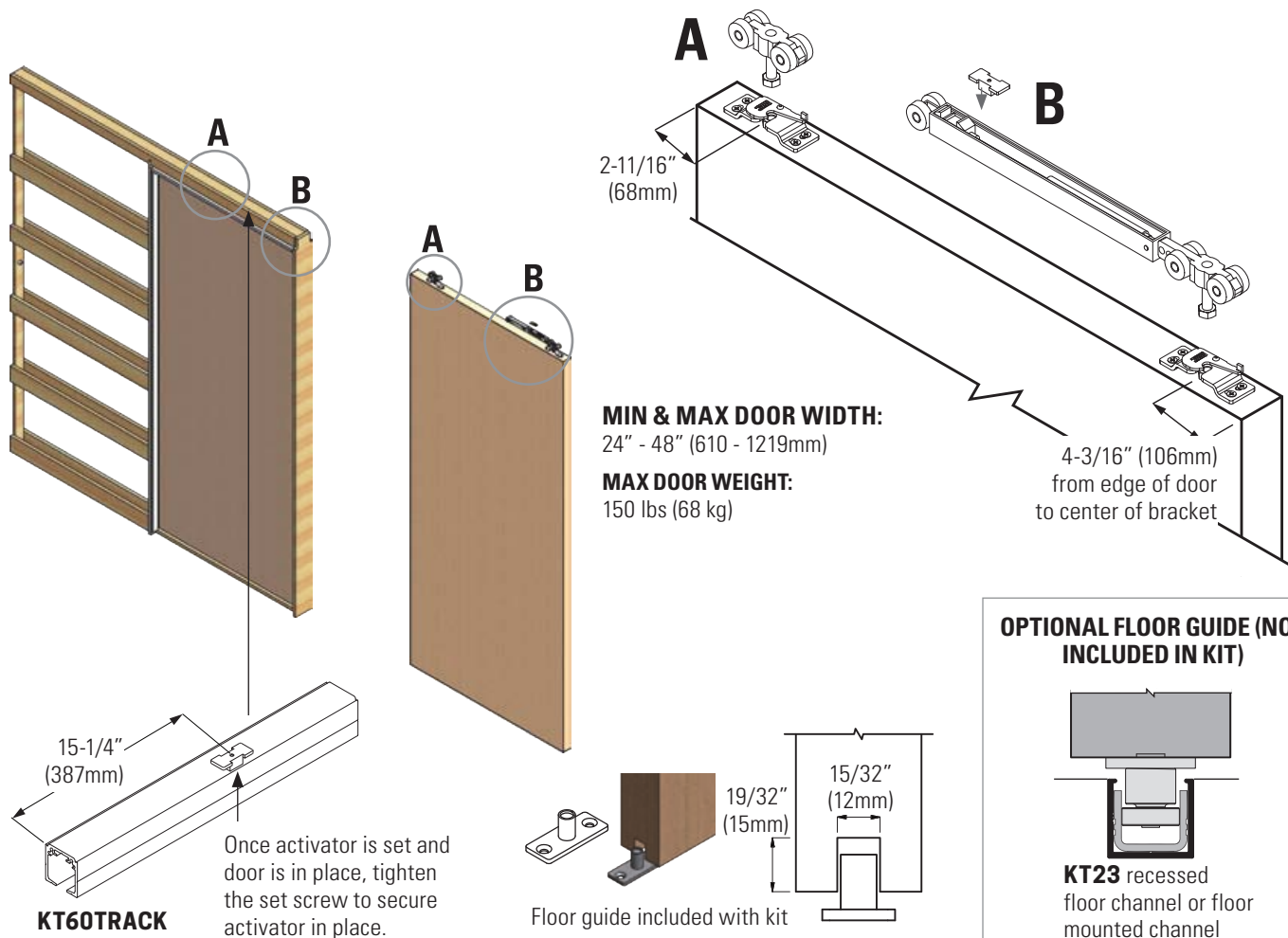
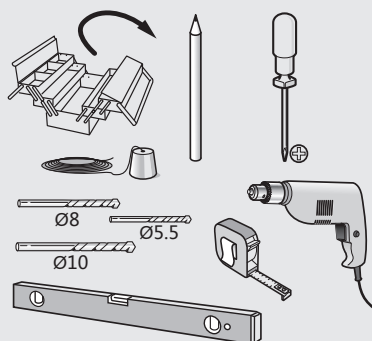


**KT60FGUIDE**  
1 ea floor guide



1 wrench

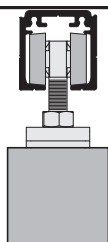
## RECOMMENDED TOOLS



# INSTALLATION INSTRUCTIONS FOR SOFT CLOSE ONE SIDE

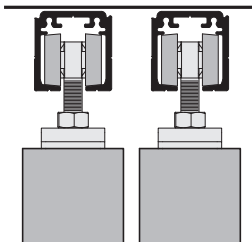
## MAY BE USED FOR THESE APPLICATIONS ONLY:

Single track ceiling mount



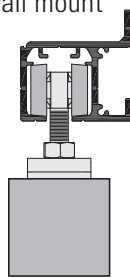
**KT60TRACK**

Double bypass ceiling mount



**KT60TRACK (2)**

OR Single track wall mount



**KT61TRACK**

**PEASE NOTE:**  
Warranty void if product is not installed as directed in these instructions.

## PARTS IN THE BOX FOR SOFT CLOSE ONE SIDE



### KT60SOFTCLOSEH1

Soft close assembly on one side. Hanger on the other side.



**KT60STOP**  
1 intrack stop



1 soft close & auto release activator

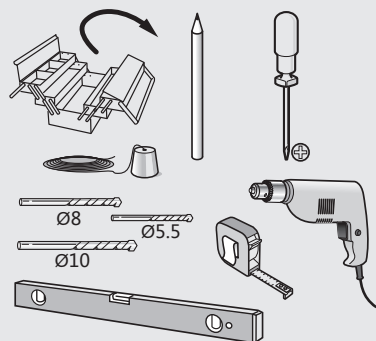


**KT60FGUIDE**  
1 ea floor guide



1 wrench

## RECOMMENDED TOOLS

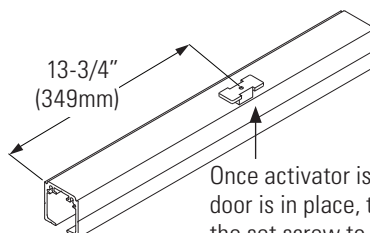
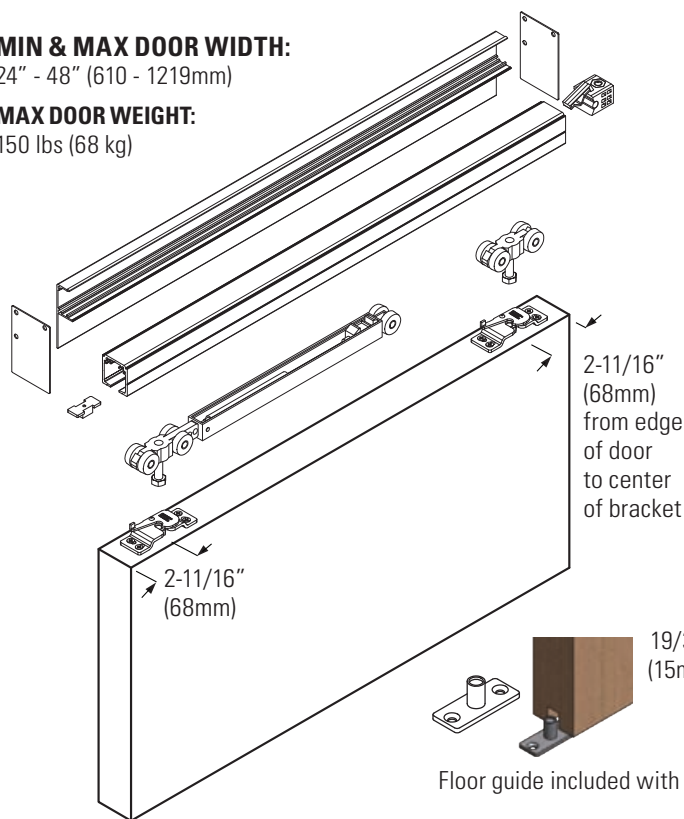


### MIN & MAX DOOR WIDTH:

24" - 48" (610 - 1219mm)

### MAX DOOR WEIGHT:

150 lbs (68 kg)

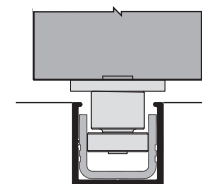


**KT60TRACK**

**NOTE:** depending on application, fascia may have to be snapped onto the track and then installed.



### OPTIONAL FLOOR GUIDE (NOT INCLUDED IN KIT)

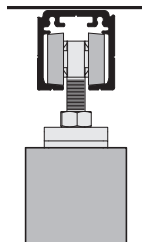


**KT23** recessed floor channel or floor mounted channel

# INSTALLATION INSTRUCTIONS FOR SOFT CLOSE BOTH SIDES

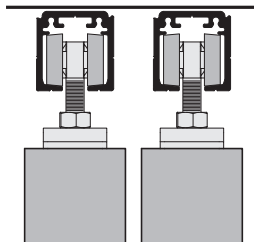
## MAY BE USED FOR THESE APPLICATIONS ONLY:

Single track ceiling mount



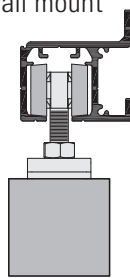
KT60TRACK

Double bypass ceiling mount



KT60TRACK (2)

OR Single track wall mount



KT61TRACK

**PEASE NOTE:**  
Warranty void if product is not installed as directed in these instructions.

## PARTS IN THE BOX FOR SOFT CLOSE BOTH SIDES



KT60SOFTCLOSEH2

Two soft close assemblies, one for each side



2 soft close & auto release activators



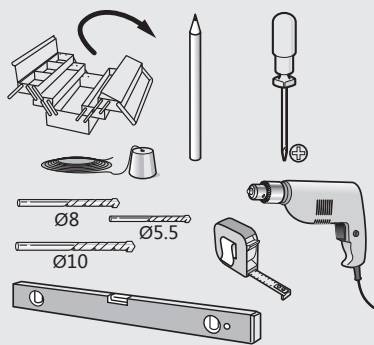
KT60FGUIDE

1 ea floor guide



1 wrench

## RECOMMENDED TOOLS

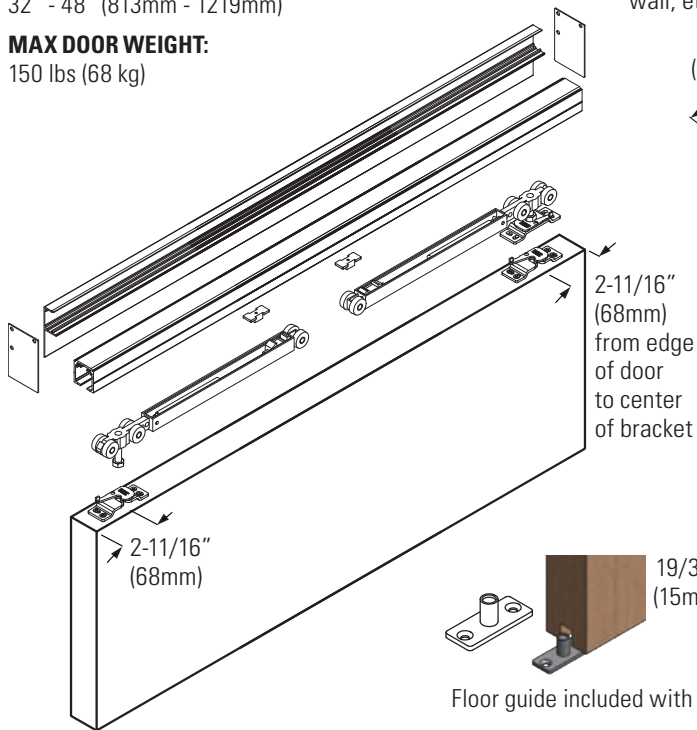


### MIN & MAX DOOR WIDTH:

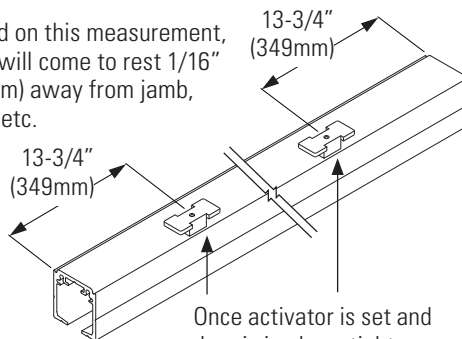
32" - 48" (813mm - 1219mm)

### MAX DOOR WEIGHT:

150 lbs (68 kg)

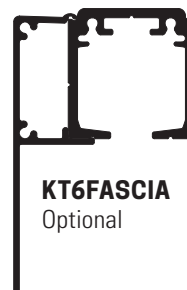


Based on this measurement, door will come to rest 1/16" (1.6mm) away from jamb, wall, etc.



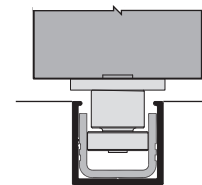
KT60TRACK

**NOTE:** depending on application, fascia may have to be snapped onto the track and then installed.



KT6FASCIA  
Optional

### OPTIONAL FLOOR GUIDE (NOT INCLUDED IN KIT)



KT23 recessed floor channel or floor mounted channel