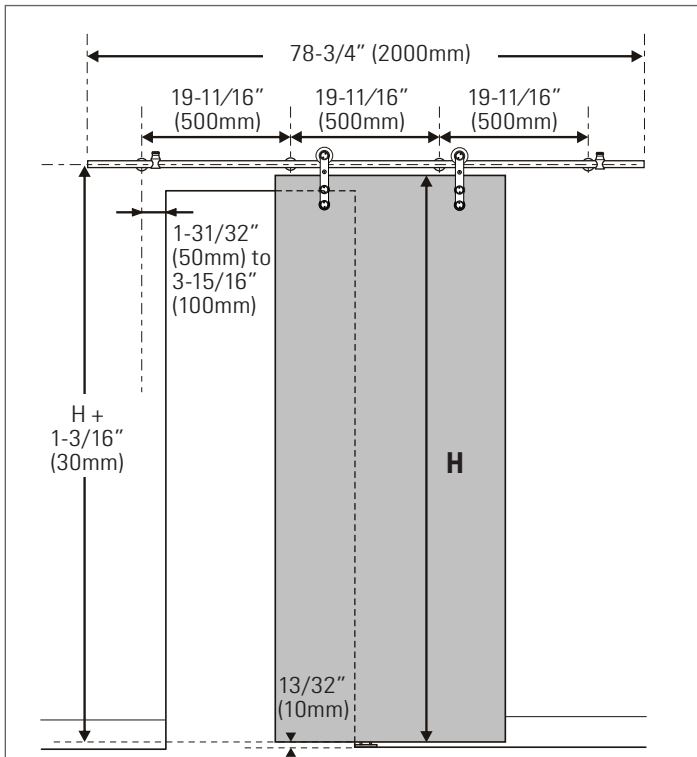




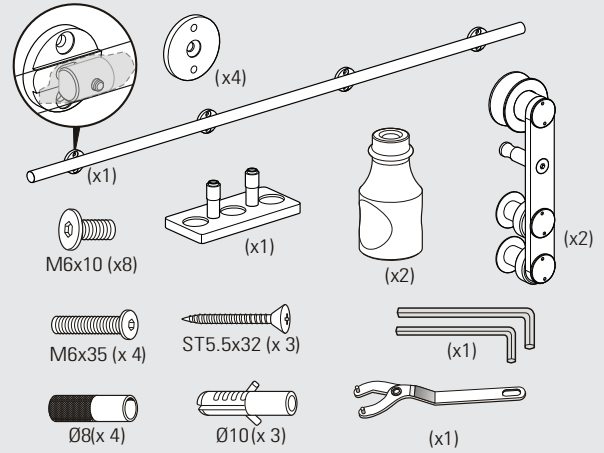
INSTALLATION INSTRUCTIONS

FOR KTA2SSBL78FMKIT OR KTA2SS78FMKIT
 Maximum weight per panel: 210 lbs (95 kg)

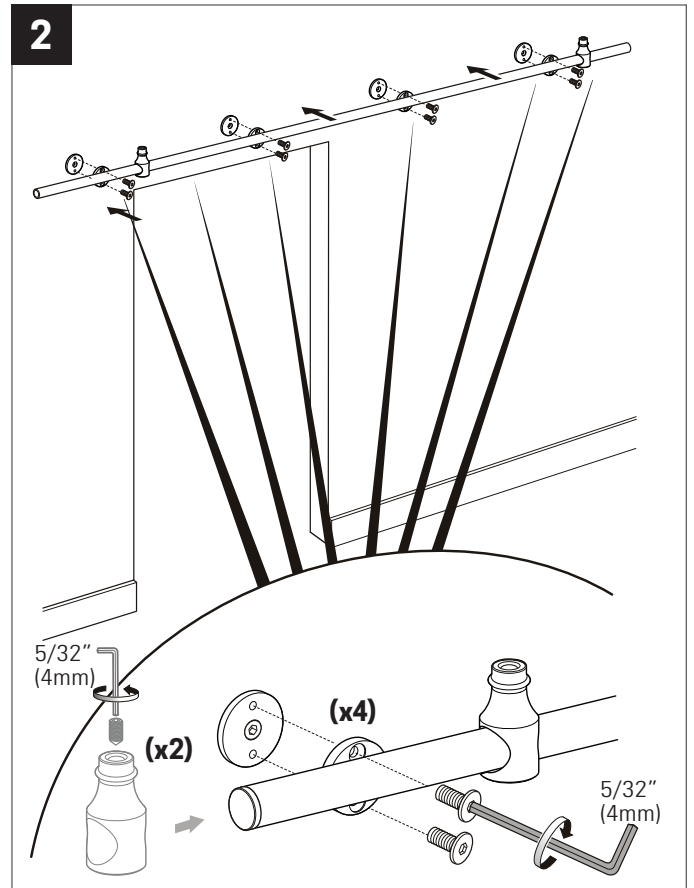
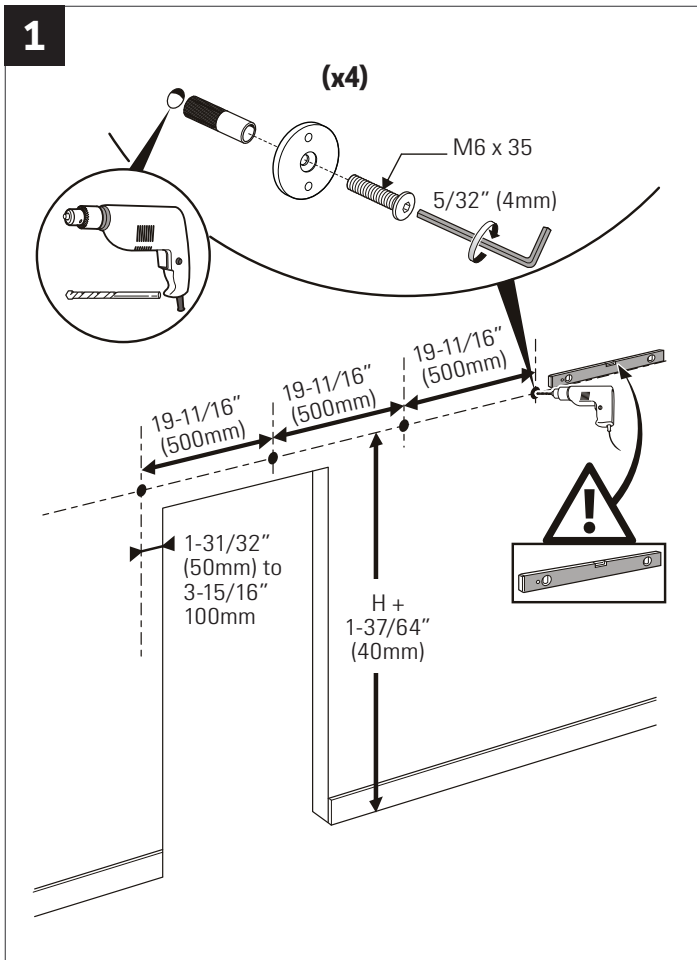
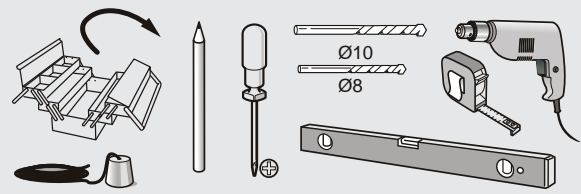
KrisTrack® A2 Series: Round rail 78" (2000mm) & Facemount Hangers for Wood Doors

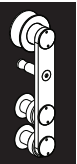


PARTS IN THE BOX



RECOMMENDED TOOLS





KrisTrack® A2 Series: Round rail 78" (2000mm) & Facemount Hangers for Wood Doors

3 5/32" (4mm)

2 1-3/8" (35mm) thickness
 hole diameter 5/8" (16mm)
 1-25/32" (45mm)
 2-5/32" (55mm)
 3" (76mm) to 5-19/32" (150mm)*
 (x2)

1 1-3/4" (45mm) thickness
 hole diameter 5/8" (16mm)
 1-25/32" (45mm)
 2-5/32" (55mm)
 3" (76mm) to 5-19/32" (150mm)*
 (x2)

* Guideline measurement for all wood panel.
 For full lite glass door panel, mount hanger middle of door stile. (see drawing below)

groove bottom of door for floor mounted guide
 9/32" (7mm)
 25/32" (20mm)

KT116 Optional jamb mounted guide

4

5

6

Mount hanger middle of door stile

ALL DRAWINGS NO SCALE

Head Office & Manufacturing Centre - Vancouver, Canada

7470 Buller Avenue, Burnaby, B.C. V5J 4S5 Canada • info@theDSgroup.com

Ph: (604) 451-1080 • Fax: (604) 451-1140 • Outside Vancouver, BC use toll free numbers Ph: 1-888-520-9009 Fax: 1-800-567-2887

Branch Offices & Manufacturing Centres | Eclipse Architectural® Corporate Showrooms

Toronto, Canada & Los Angeles, USA

Vancouver & Toronto, Canada • Los Angeles, California, USA

THE DS GROUP IS THE BRAND IMAGE OF A.K. DRAFT SEAL LTD.