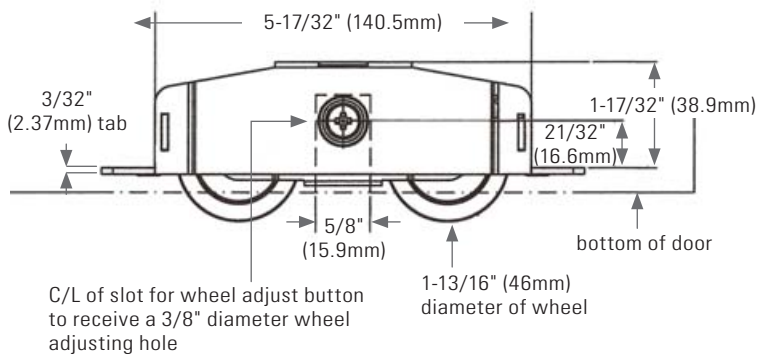


KrisTrack® KTMSHDROLLER Large Capacity Roller

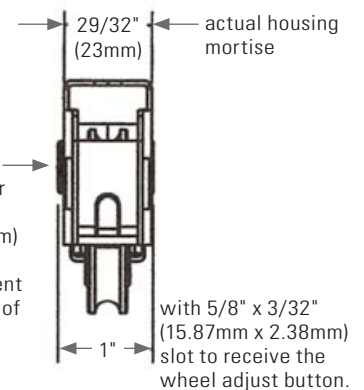
Each roller unit has a 350 lbs capacity (or 700 lbs using 2 roller units per door).

The MS Floor Track is not a weather-tight system. It may be used as an exterior unit when optimum weathering performance is not required.

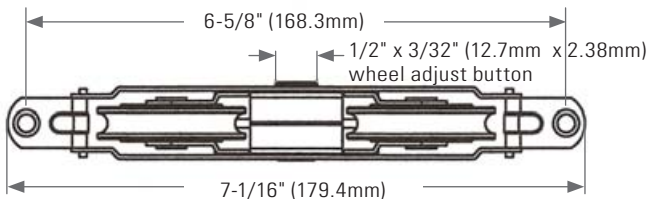


END VIEW

NOTE: Mortise 29/32" (23mm) slot for the roller housing and mortise an additional 3/32" (2.38mm) slot to receive the 3/8" (9.5mm) wheel adjustment hole on the interior side of the door.

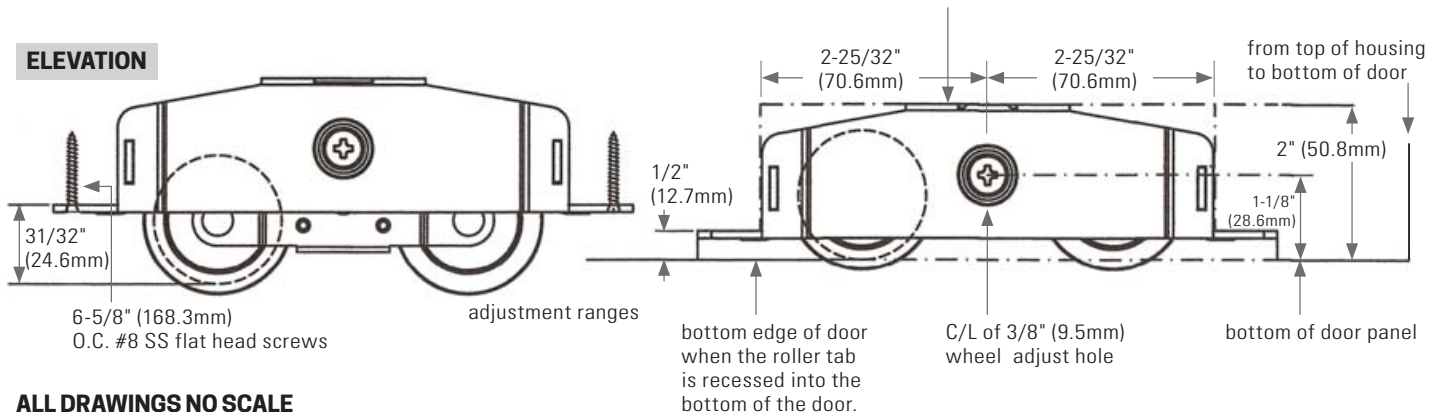


PLAN VIEW



NOTE: for optimum mortise location it is very important to recess roller tabs 1/2" (12.7mm) into the bottom of the door and have the weight of the door on the top of the housing (not on the tabs)

ELEVATION



ALL DRAWINGS NO SCALE

Head Office & Manufacturing Centre - Vancouver, Canada

7470 Buller Avenue, Burnaby, B.C. V5J 4S5 Canada • Ph: (604) 451-1080 • Fax: (604) 451-1140 • info@theDSgroup.com

Outside Vancouver, BC use toll free numbers Ph: 1-888-520-9009 Fax: 1-800-567-2887

Branch Offices & Distribution Centres

Toronto, Canada & Los Angeles, USA

Eclipse Architectural® Corporate Showrooms

Vancouver & Toronto, Canada • Los Angeles, California, USA

THE DS GROUP IS THE BRAND IMAGE OF A.K. DRAFT SEAL LTD.