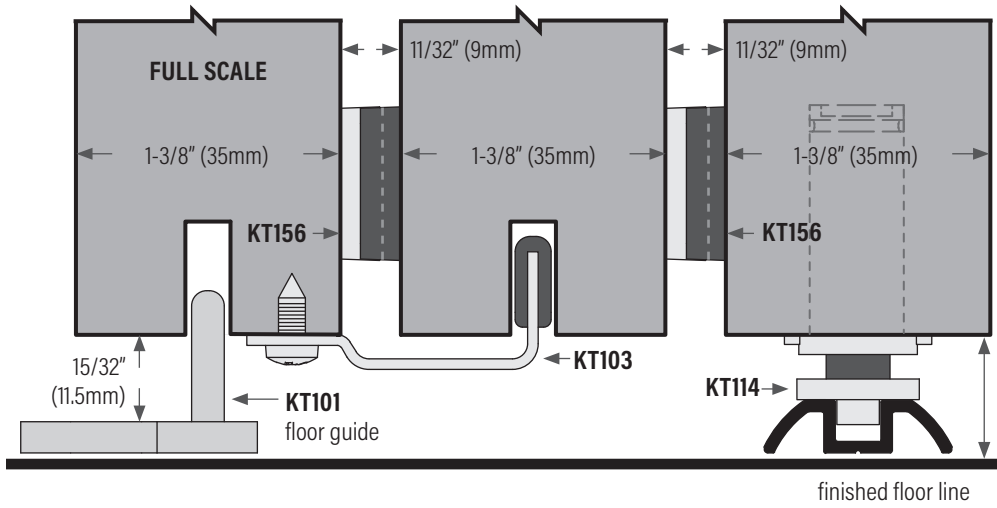


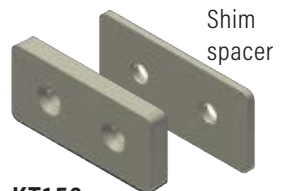
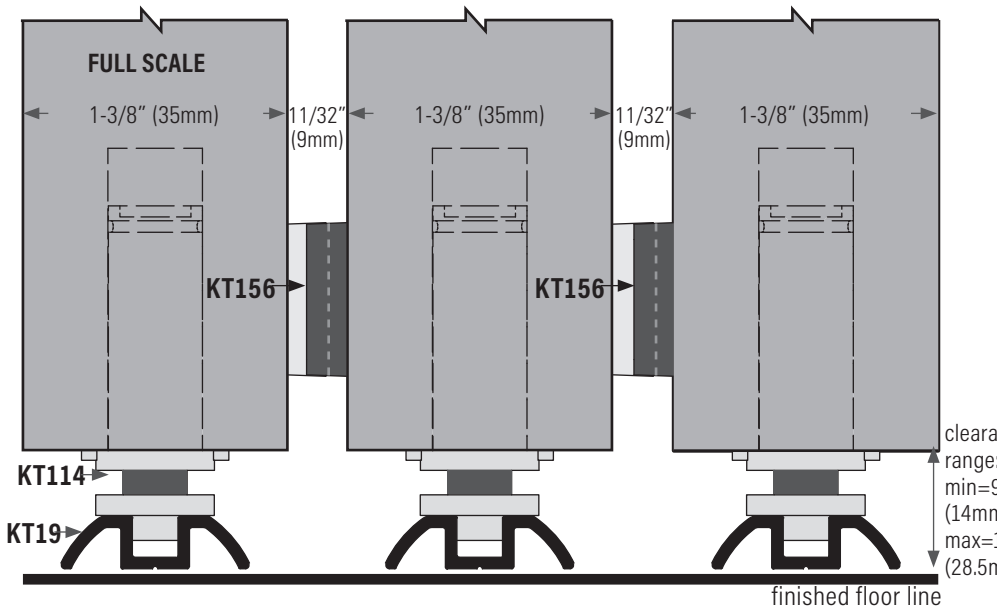
Bottom Guiding For Multi-Sliding Doors



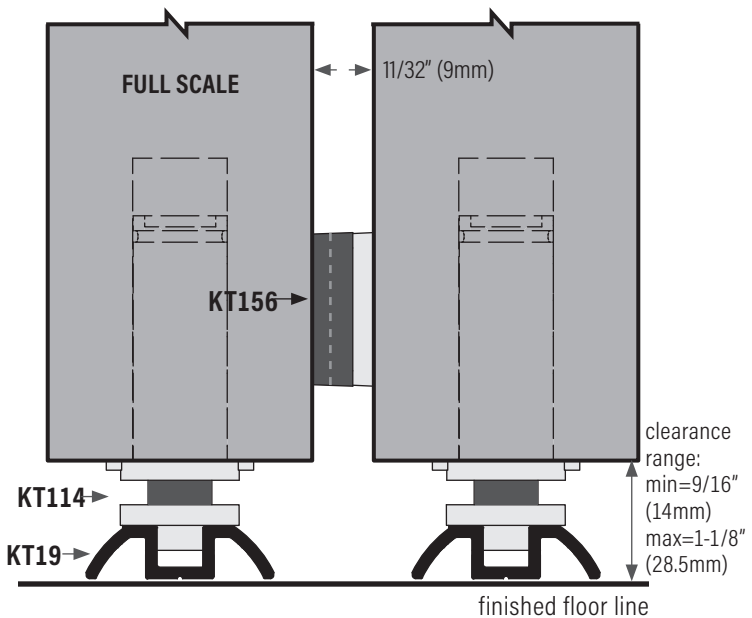
KT101
Floor guide (plastic)



KT103
Bottom link guide (stainless steel) for 1-3/8" (35mm) doors



KT156
Collector (nylon) for Multi-Slide doors, two piece set

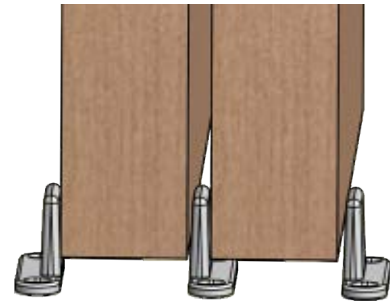
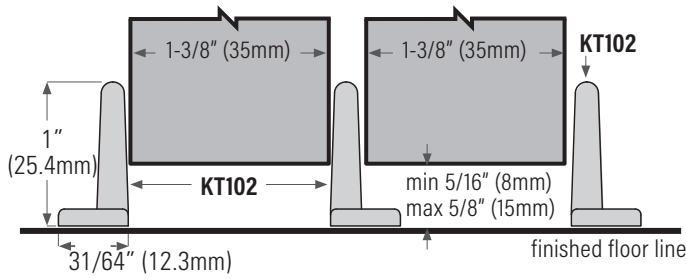


KT114 bottom guide

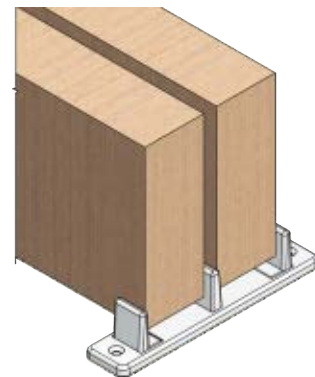
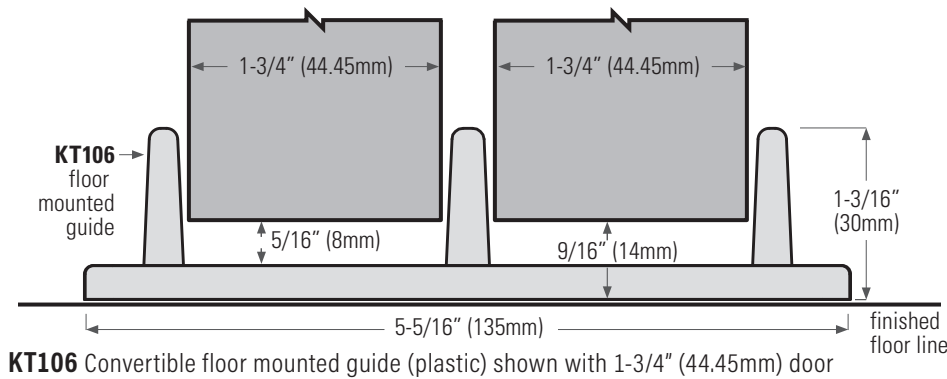
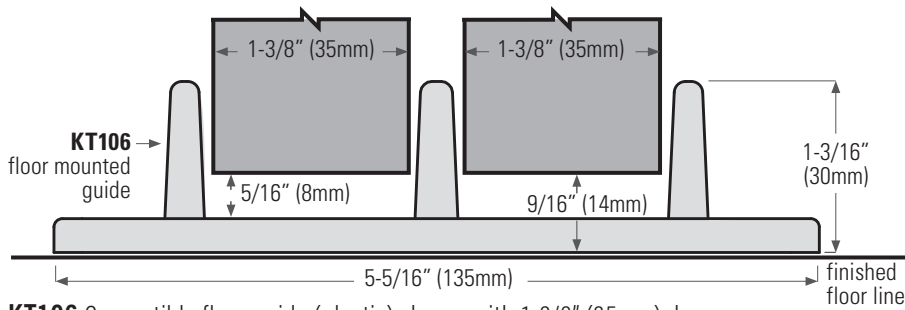


KT19C Floor channel aluminum clear anodized
KT19D Bronze anodized, 12 ft stock length only

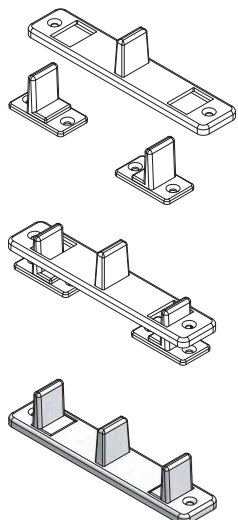
Bottom Guiding Options For Bypass Or Multi Slide Doors



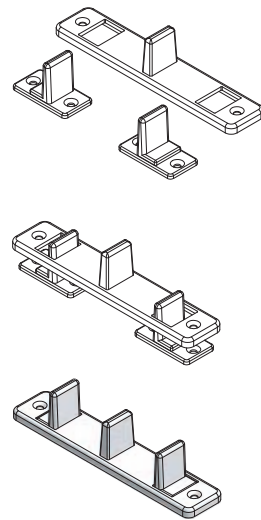
KT102 Floor guide (plastic)



Assembly of convertible floor guide for 1-3/4" door



Assembly of convertible floor guide for 1-3/8" door

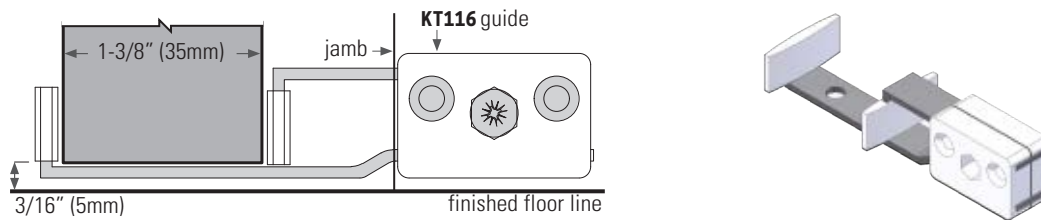


Hardware & Accessories: Guides

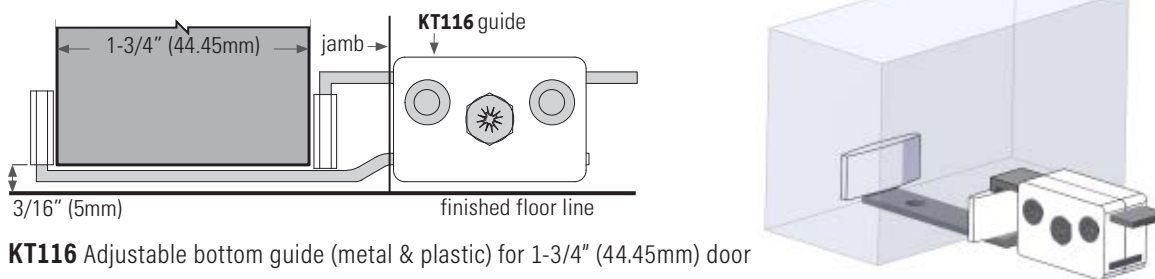
Bottom Guiding Options: Jamb Mounted Adjustable Guide for (Face Wall) Mounted Single Sliding or Double Biparting



KT113 Adjustable bottom guide for wall face mounted doors, 1-3/8" or 1-3/4" door thickness

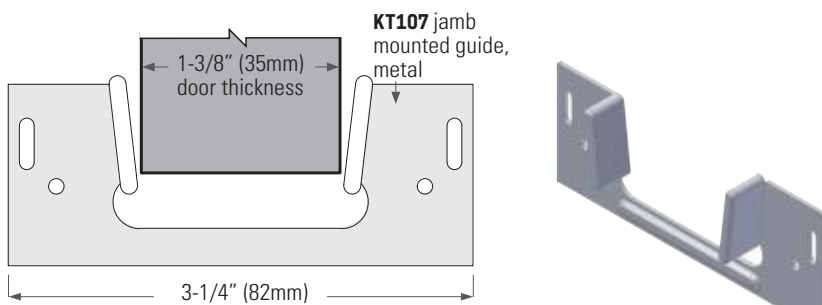


KT116 Adjustable bottom guide (metal & plastic) for 1-3/8" (35mm) door

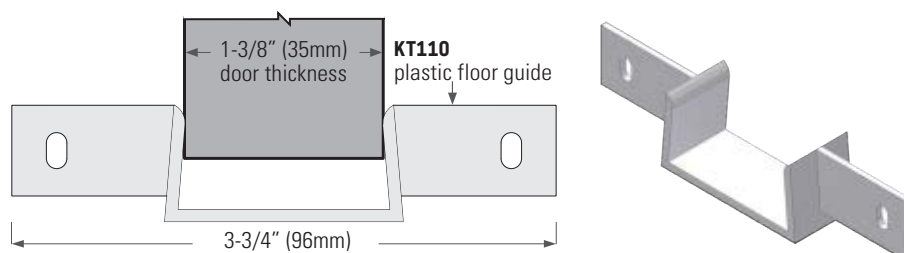


KT116 Adjustable bottom guide (metal & plastic) for 1-3/4" (44.45mm) door

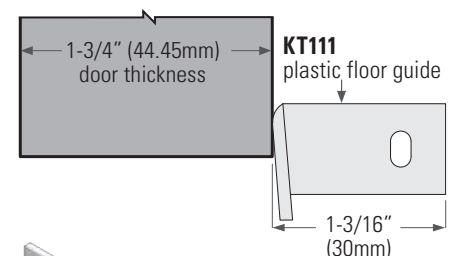
Bottom Guiding Options: Jamb Mounted Guide for Pocket Doors



KT107 Door guide (metal) for 1-3/8" (35mm) pocket door

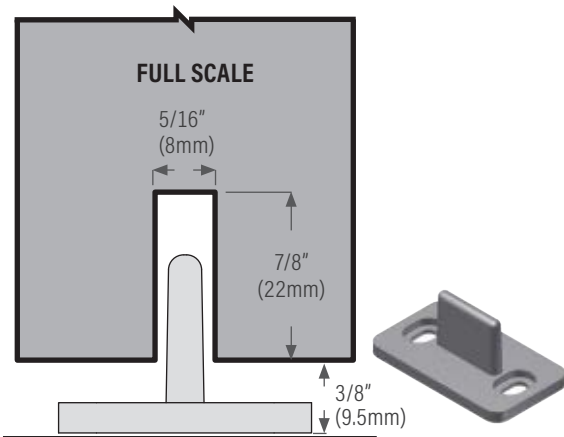


KT110 Door guide (plastic) for 1-3/8" (35mm) pocket door

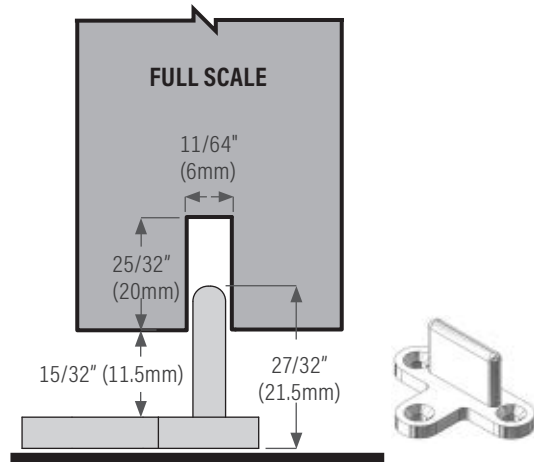


KT111 Door guide (plastic) one piece each side for 1-3/4" (44.45mm) door thickness

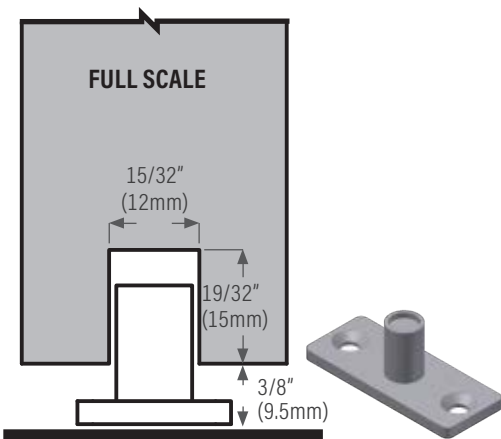
Hardware & Accessories: Guides



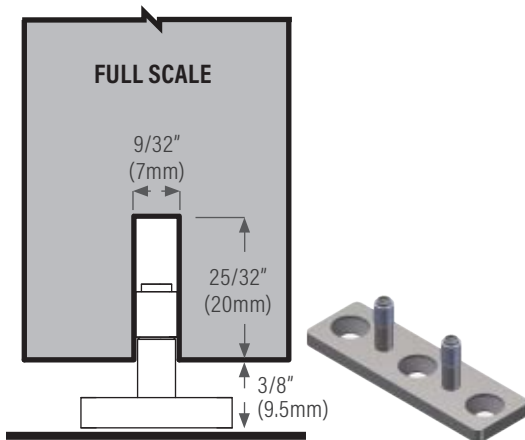
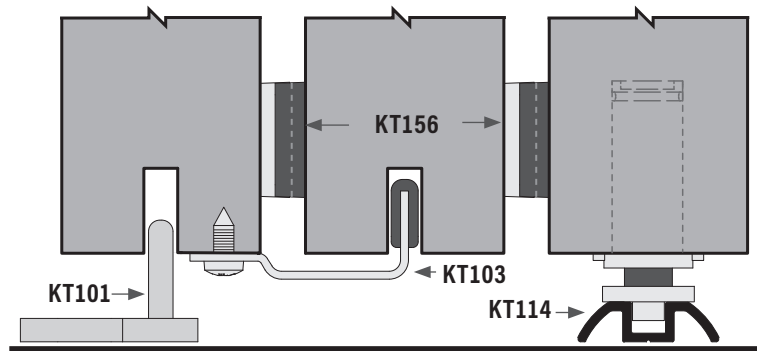
KT112 Floor guide, plastic



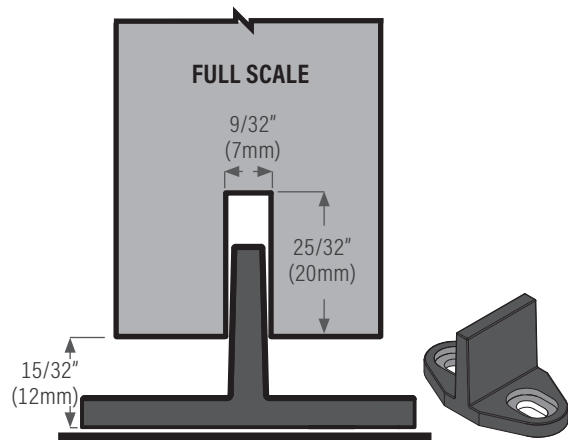
KT101 Floor guide, plastic



KT60FGUIDE Floor guide, plastic



KTA2FGUIDESS Floor guide, SS metal
KTA2FGUIDESSBLACK black



KTA7FGUIDE Floor guide, plastic