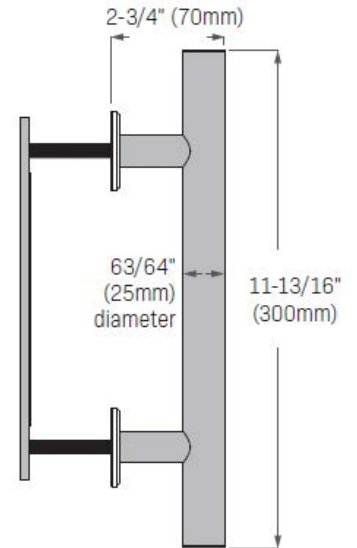
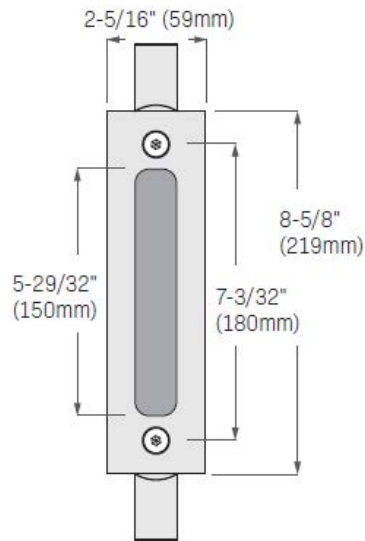


Handle and Flush Pull for Sliding Doors



KT301SSH (PACKAGED IN BOX)

Handle and flush pull, brushed ss, fits 1-3/8" (35mm) or 1-3/4" (44.45mm) door thickness.

KT301BLACKH (PACKAGED IN BOX)

Black Powder Coat

KT301SSHR (CLEAR PACKAGING)

Handle and flush pull, brushed ss, fits 1-3/8" (35mm) or 1-3/4" (44.45mm) door thickness.

KT301BLACKHR (CLEAR PACKAGING)

Black powder coat