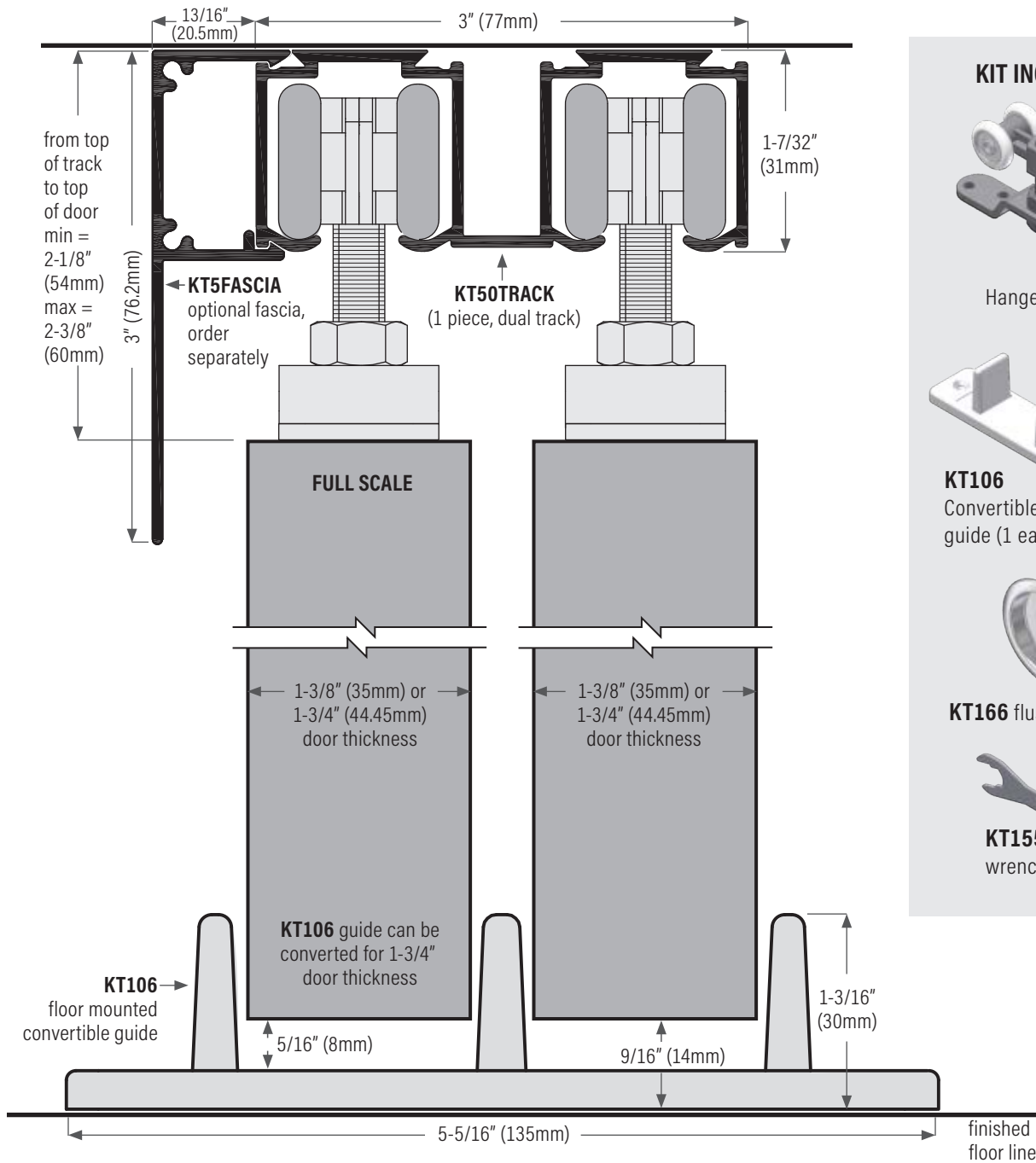


KT50 Series: Track For Bypass Sliding Door, Ceiling Mount

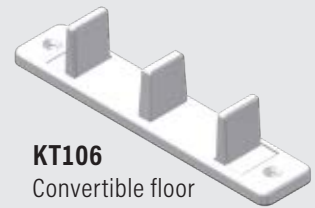
MAXIMUM CAPACITY:	Width and height of the door may vary beyond standard sizes, provided the weight of the door does not exceed the maximum hanger weight listed. Weight check on door panel should always be performed by either manually weighing the door or checking manufacturing specs.
VERTICAL ADJUSTMENT:	1/4" (6.4mm)
TRACK:	Extruded aluminum, mill finish.
HANGER:	Steel plated or cast carrier, 4 nylon wheels, ball bearing.
OPTIONS:	KT20 extruded aluminum channel with KT120 steel plate, nylon swivel guide, minimum door thickness 1-3/8" (35mm) when using guide channel. Oblong flush pulls size 1-5/8" (410mm) x 4-1/2" (1143mm) available in finishes, KT174DCH (dull chrome), KT174BRZ powder coat bronze, KT174CH bright chrome.



KIT INCLUDES:



Hangers (4 ea)



KT106
Convertible floor
guide (1 ea)



KT166 flush pull (2 ea)



KT155
wrench (1 ea)

KT50 Series: Track For Bypass Sliding Door, Ceiling Mount

One Track, Three Hanger Choices:



KT55KIT for 2 door application:

KT35HANGER (4 ea) hangers, KT106 (1 ea) convertible floor mounted guide, KT166 (2 ea) chrome finger pulls, KT155 (1 ea) wrench, installation sheet plus all screws.

Residential, max door weight: 100 lbs. (45 kg) = 2 hangers



KT58KIT for 2 door application:

KT38HANGER (4 ea) hangers, KT106 (1 ea) convertible floor mounted guide, KT166 (2 ea) chrome finger pulls, KT155 (1 ea) wrench, installation sheet plus all screws.

Residential, max door weight: 132 lbs. (60 kg) = 2 hangers

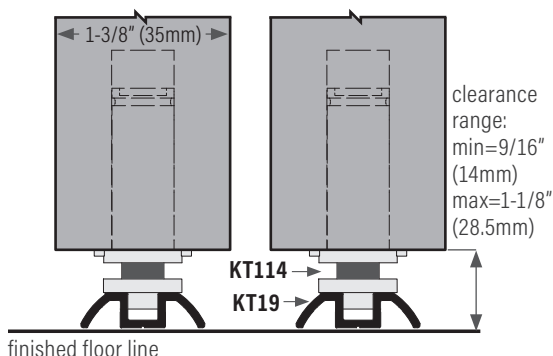
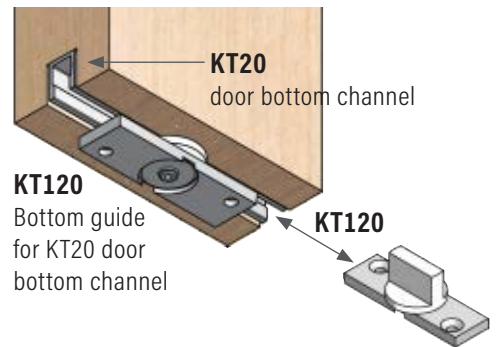
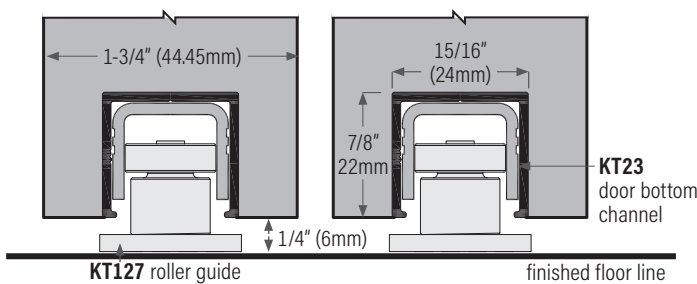


KT50KIT for 2 door application:

KT40HANGER (4 ea) hangers, KT106 (1 ea) convertible floor mounted guide, KT166 (2 ea) chrome finger pulls, KT155 (1 ea) wrench, installation sheet plus all screws.

Commercial, max door weight: 220 lbs. (100 kg) = 2 hangers

OPTIONS



KT114 Bottom guide (plastic), spring loaded, for **KT19** floor channel



KT124 Intrack hanger stop for KT55 & KT58 kit only, optional



KT125 Intrack bumper stop