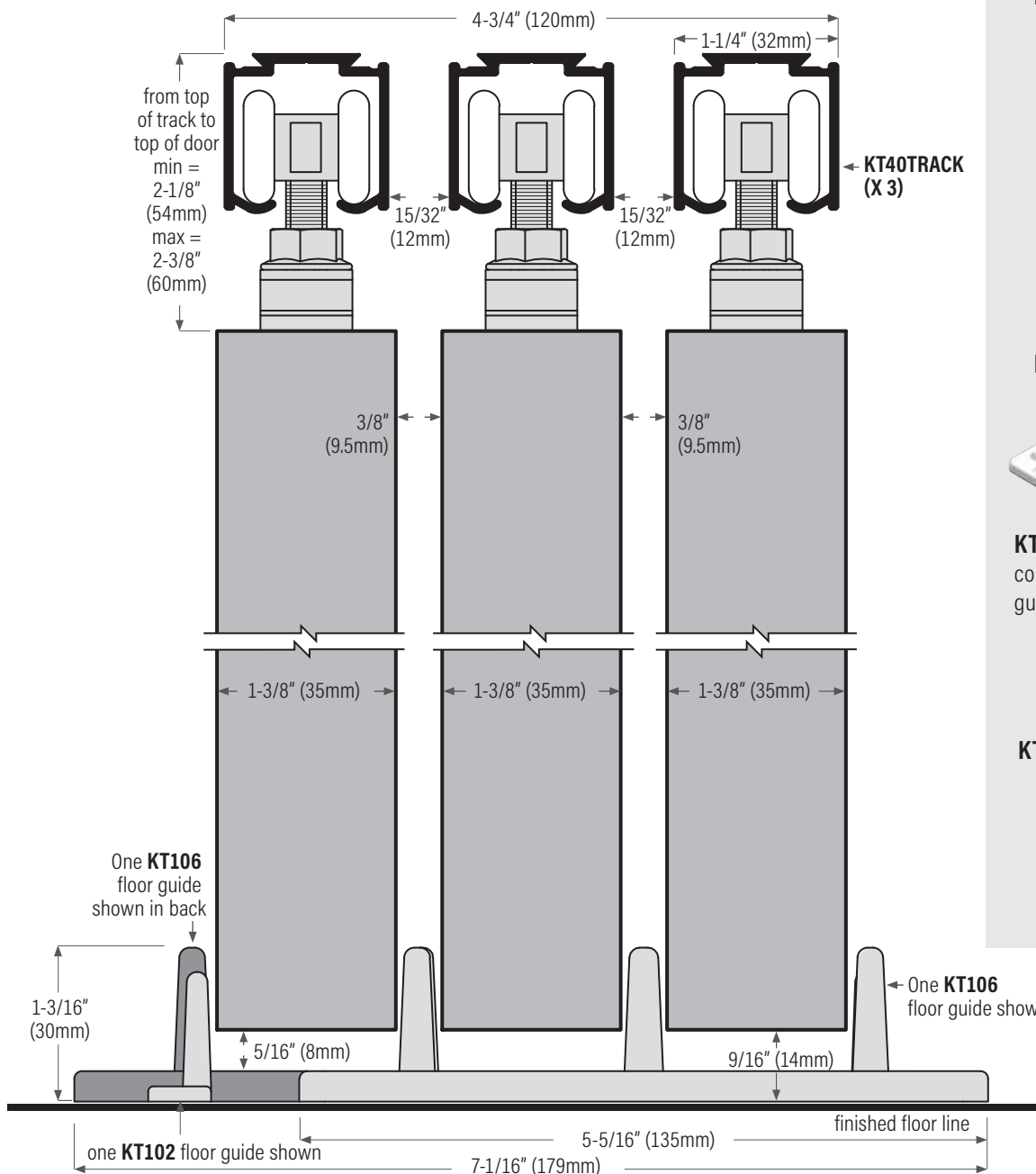


KT53 Series: Triple Track For Multi-Sliding Doors, Ceiling Mount

MAXIMUM CAPACITY:	Width and height of the door may vary beyond standard sizes, provided the weight of the door does not exceed the maximum hanger weight listed. Weight check on door panel should always be performed by either manually weighing the door or checking manufacturing specs.
VERTICAL ADJUSTMENT:	1/4" (6.4mm)
TRACK:	Extruded aluminum, mill finish.
HANGER:	Steel plated or cast carrier, 4 nylon wheels, ball bearing.
OPTIONS:	KT20 extruded aluminum floor channel with KT120 steel plate, nylon swivel guide, minimum door thickness 1-3/8" (35mm) when using floor guide channel. Oblong flush pulls size 1-5/8" (410mm) x 4-1/2" (1143mm) available in finishes, KT174DCH (dull chrome), KT174BRZ powder coat bronze, KT174CH bright chrome.

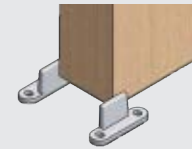
Spacing For 1-3/8" Door Thickness



KIT INCLUDES:



Hangers (6 ea)



KT102 floor mounted guide (2 ea)



KT106 convertible floor guide (2 ea)



KT166 flush pull (3 ea)



KT155 wrench (1 ea)

KT53 Series: Triple Track For Multi-Sliding Doors, Ceiling Mount

One Track, Three Hanger Choices:



KT43KIT for 3 door application:

KT35HANGER (6 ea) hangers, KT102 (2 ea) floor mounted guide, KT106 (2) convertible floor guide, KT166 (3 ea) chrome finger pulls, KT155 (1 ea) wrench, installation sheet plus all screws.

Residential, max door weight: 100 lbs. (45 kg) = 2 hangers



KT52KIT for 3 door application:

KT38HANGER (6 ea) hangers, KT102 (2 ea) floor mounted guide, KT106 (2) convertible floor guide, KT166 (3 ea) chrome finger pulls, KT155 (1 ea) wrench, installation sheet plus all screws.

Residential, max door weight: 132 lbs. (60 kg) = 2 hangers

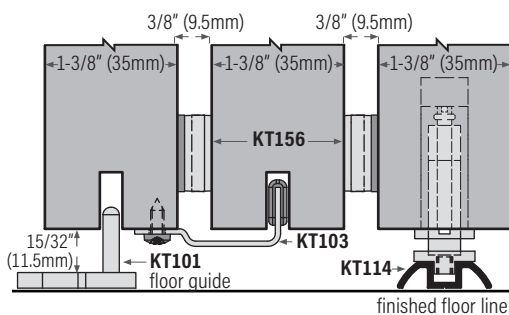


KT53KIT for 3 door application:

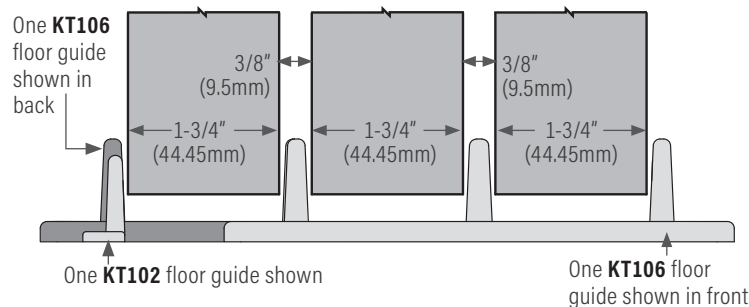
KT40HANGER (6 ea) hangers, KT102 (2 ea) floor mounted guide, KT106 (2) convertible floor guide, KT166 (3 ea) chrome finger pulls, KT155 (1 ea) wrench, installation sheet plus all screws.

Commercial, max door weight: 220 lbs. (100 kg) = 2 hangers

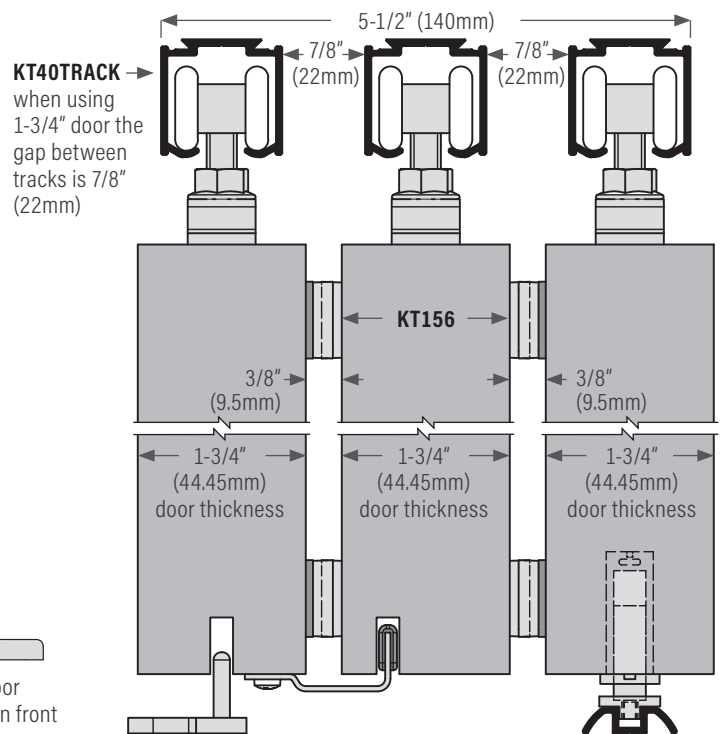
SPACING FOR 1-3/8" DOOR THICKNESS



SPACING FOR 1-3/4" DOOR THICKNESS



SPACING FOR 1-3/4" DOOR THICKNESS



KT53 Series: Triple Track For Multi-Sliding Doors, Ceiling Mount

The Multi-Slide interior sliding system is designed to slide shutters or doors in a residential or commercial applications. A number of doors may be installed as parallel sliding. Collectors can be used to pick up one panel with the next as they are operated.

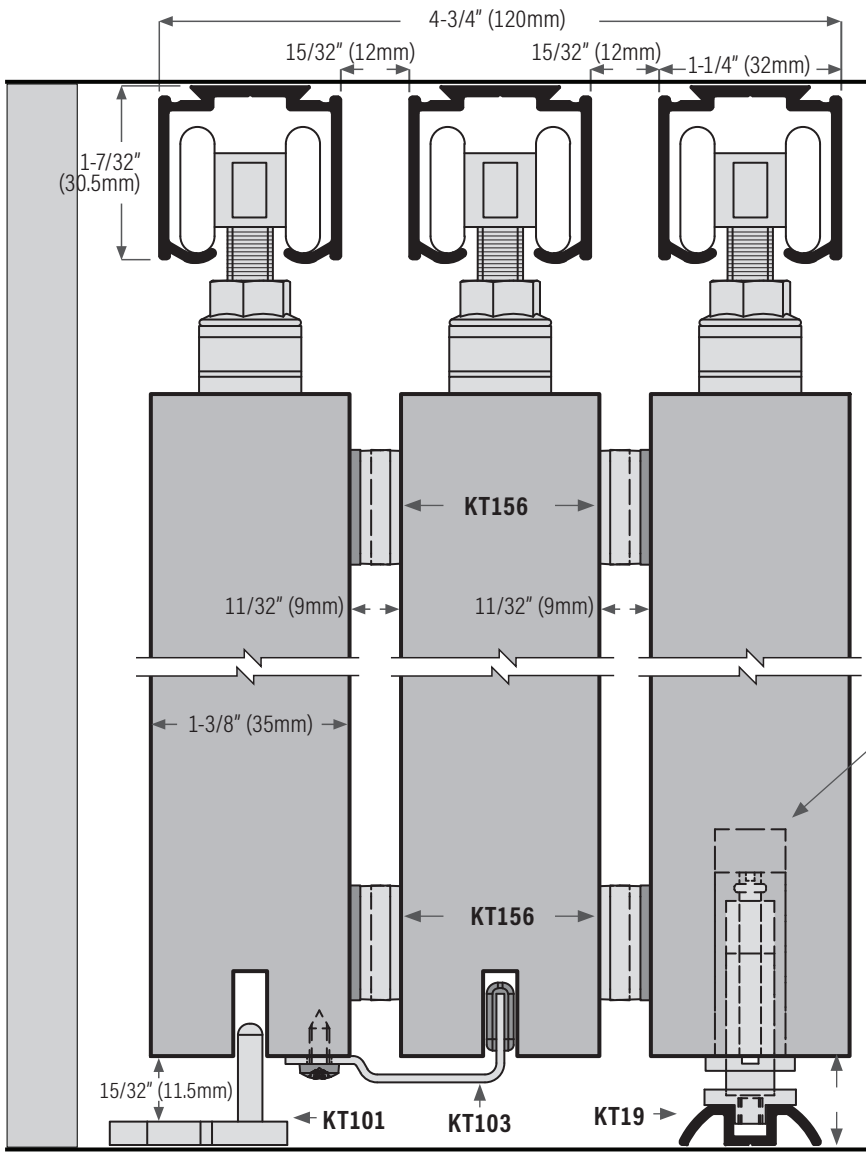
PANEL SIZING

Maximum recommended panel dimensions:

width = 48" (1220 mm) wide

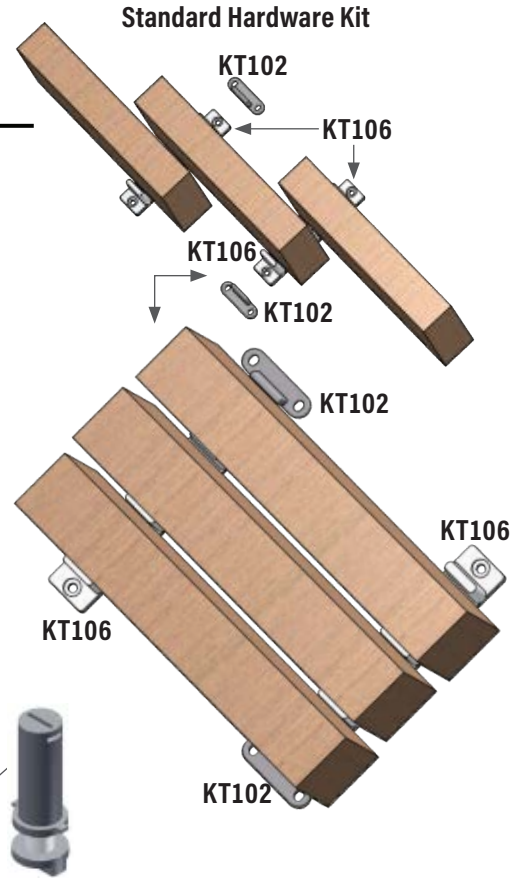
height = 96" (2438 mm) high

Example of 3 door system

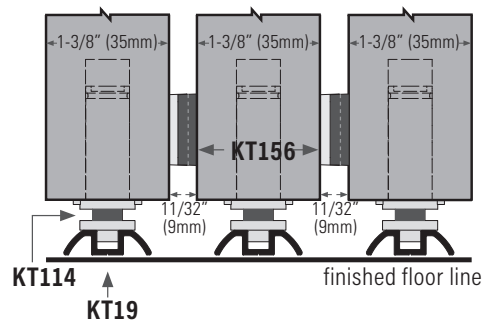


BOTTOM GUIDING OPTION 1

clearance range: min = $9/16"$ (14mm)
max = $1\text{-}1/8"$ (28.5mm)



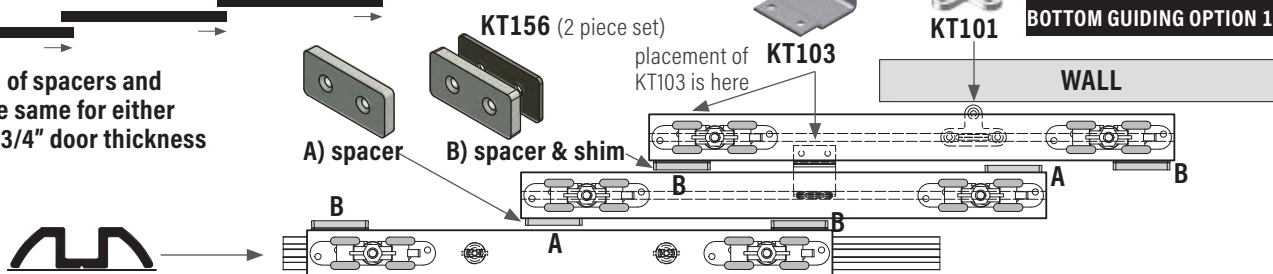
BOTTOM GUIDING OPTION 2



3 doors parallel sliding clear past opening



Orientation of spacers and shims is the same for either $1\text{-}3/8"$ or $1\text{-}3/4"$ door thickness



KT19 floor channel aluminum

nylon collectors are fastened to top and bottom of panel stiles

KTMS Series: Double Track For Sliding Doors, Ceiling Mount

The interior sliding door system is designed to slide shutters or doors in a residential or commercial applications. A number of doors may be installed as parallel sliding. Collectors can be used to pick up one panel with the next as they are operated.

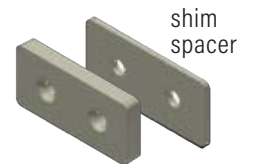
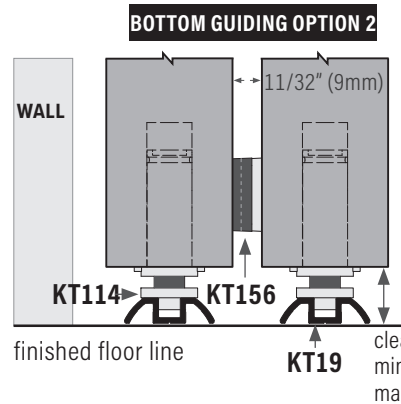
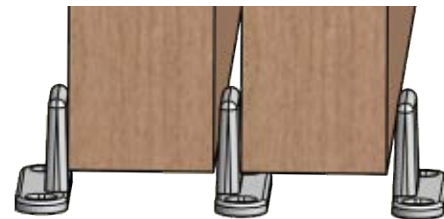
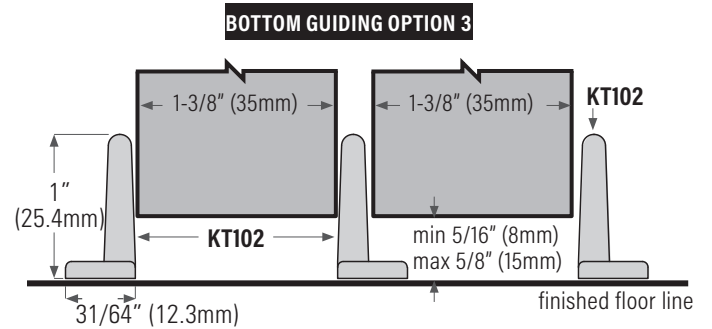
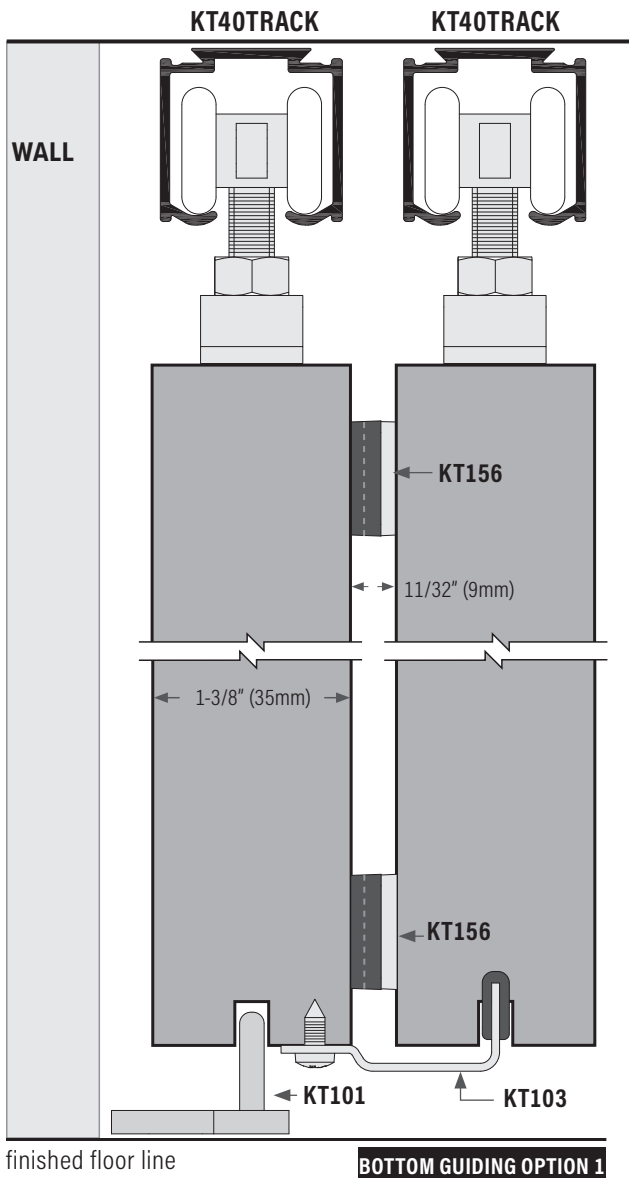
PANEL SIZING

Maximum recommended panel dimensions:

width = 48" (1220 mm) wide

height = 96" (2438 mm) high

Example of 2 door system



KT156
Collector (nylon) for Multi-Slide doors, two piece set. Not included with kit, order separately.

clearance range:
min=9/16" (14mm)
max=1-1/8" (28.5mm)

2 doors parallel sliding clear past opening

