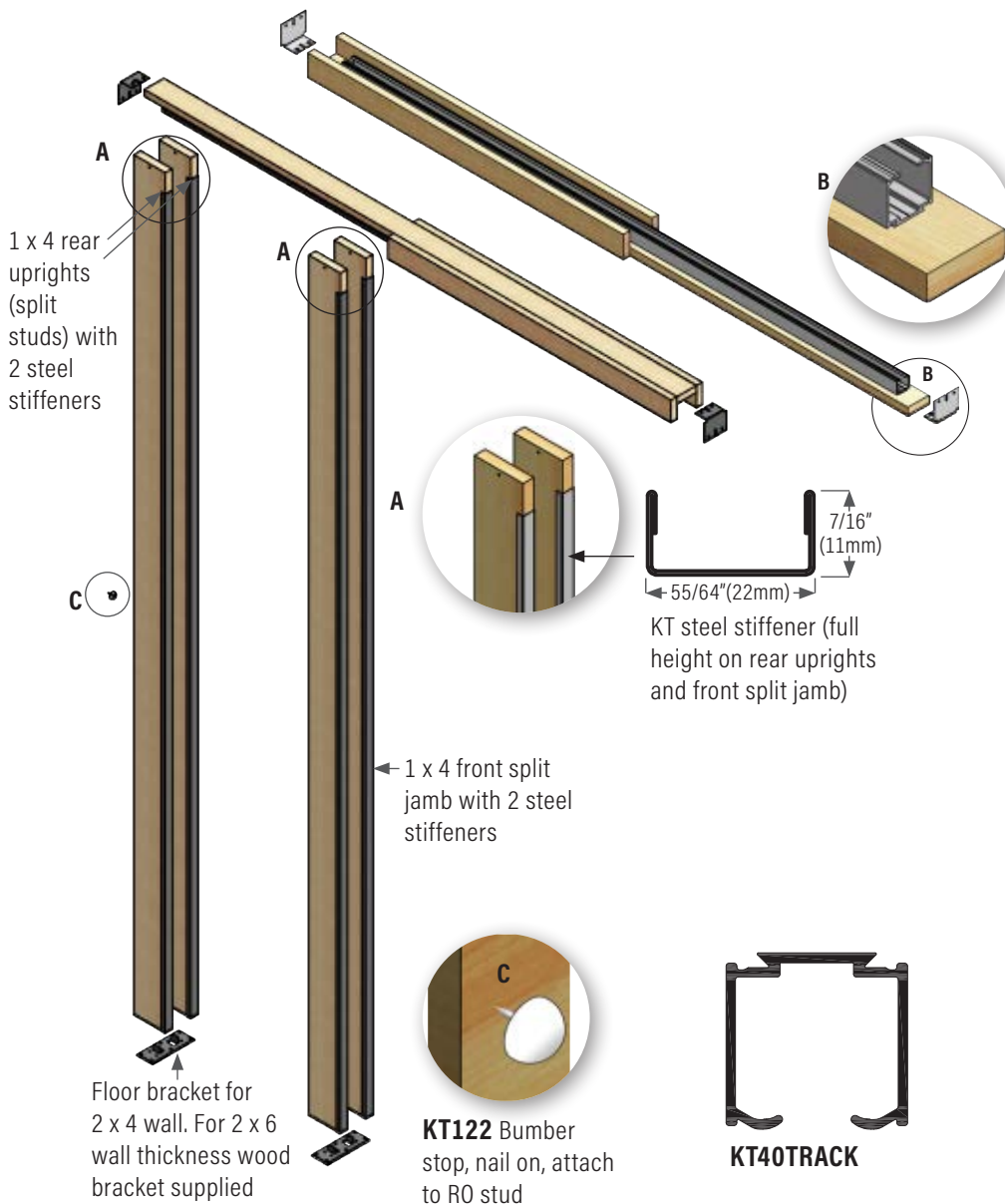


KT1000 (2 x 4 Wall) / KT1100 (2 x 6 Wall) Series: Pocket in a Box

ROUGH OPENING (RO)	The width is calculated by multiplying the door width by two and adding 1" (25.4mm) IE: 36" x 2 = 72"; 72" + 1" = 73" opening (914mm x 2 = 1828mm); (1828mm + 25.4mm) Rough opening in height is 4-1/4" (108mm) more than door height.
MIN & MAX DOOR THICKNESS	3/4" (19mm) to 1-3/8" (35mm)
VERTICAL ADJUSTMENT	3/8" (9.5mm)
DOOR WIDTH & HEIGHT	Width: 24" (609mm) to 36" (914mm) / Height: Up to 80" (2032mm)
TRACK	Extruded aluminum, keyhole punched
HANGER	Steel construction zinc plated, 4 plastic wheels
HARDWARE KIT	included with pocket in a box

NOTE: After installing pocket frames, replace all track screws with #8 x 11/2" (38mm) screws (included), before drywall.

FLAT JAMB, HEAD TRIM AND SPLIT JAMB TRIM NOT INCLUDED WITH THE KT1000 / KT1100 SERIES POCKET IN A BOX



KIT INCLUDES:

Hangers (2 ea)

KT122
Bumper stop, nail on (1 ea)

KT107
Door guide (1 ea)

KT155
wrench (1 ea)

KT143 Floor bracket for KD pocket door frame split jamb (pocket in a box) (2 ea)

KT1000 (2 x 4 Wall) / KT1100 (2 x 6 Wall) Series: Pocket in a Box

One Track, Three Hanger Choices:



KT1035PDKIT: for 1 door application:

(Hardware kit included with frame)
KT35HANGER (2 ea) hangers, KT107 (1 ea) jamb mounted guide, KT143 floor brackets (2 ea), KT122 nail on bumper stop (1 ea), KT155 (1 ea) wrench, installation sheet plus all screws. For biparting pocket doors two KT1035PDKIT required and two KT125 intrack door stops required.

Residential, max door weight: 100 lbs. (45 kg) = 2 hangers



KT1038PDKIT for 1 door application:

(Hardware kit included with frame)
KT38HANGER (2 ea) hangers, KT107 (1 ea) jamb mounted guide, KT143 floor brackets (2 ea), KT122 nail on bumper stop (1 ea), KT155 (1 ea) wrench, installation sheet plus all screws. For biparting pocket doors two KT1038PDKIT required and two KT125 intrack door stops required.

Residential, max door weight: 132 lbs. (60 kg) = 2 hangers



KT1040PDKIT for 1 door application:

(Hardware kit included with frame)
KT40HANGER (2 ea) hangers, KT107 (1 ea) jamb mounted guide, KT143 floor brackets (2 ea), KT122 nail on bumper stop (1 ea), KT155 (1 ea) wrench, installation sheet plus all screws. For biparting pocket doors two KT1040PDKIT required and two KT125 intrack door stops required.

Commercial, max door weight: 220 lbs. (100 kg) = 2 hangers

WHAT'S IN THE BOX: COMPONENT LIST

Frame Kit

- 1 header with KT40TRACK
- 2 split stud 1 x 4
- 2 split jamb 1 x 4
- 4 galvanized steel stiffeners
- 1 fixed header end bracket
- 1 adjustable header end bracket

Hardware Kit

- 2 hangers (4 wheels each)
- 1 jamb mounted door guide
- 1 nail on door bumper
- 2 floor brackets (jamb spacers)
- 1 wrench, screws & instructions

POCKET IN A BOX - KT40TRACK

For 4-9/16" wall (116mm), 1-3/8" (35mm) door thickness.

Flat jamb, head trim & split jamb not included.

KT1035-1	2'-0" to 3'-0" x 6'-8"	100 lbs
KT1035-2	2'-0" to 3'-0" x 7'-0"	100 lbs
KT1038-1	2'-0" to 3'-0" x 6'-8"	132 lbs
KT1038-2	2'-0" to 3'-0" x 7'-0"	132 lbs
KT1040-1	2'-0" to 3'-0" x 6'-8"	220 lbs
KT1040-2	2'-0" to 3'-0" x 7'-0"	220 lbs

For 4-5/8" to 7-1/4" (117.5 to 184mm) wall, 1-3/4" (44.45mm) door thickness.

Flat jamb, head trim & split jamb not included.

KT1135-1	2'-0" to 3'-0" x 6'-8"	100 lbs
KT1135-2	2'-0" to 3'-0" x 7'-0"	100 lbs
KT1138-1	2'-0" to 3'-0" x 6'-8"	132 lbs
KT1138-2	2'-0" to 3'-0" x 7'-0"	132 lbs
KT1140-1	2'-0" to 3'-0" x 6'-8"	220 lbs
KT1140-2	2'-0" to 3'-0" x 7'-0"	220 lbs